

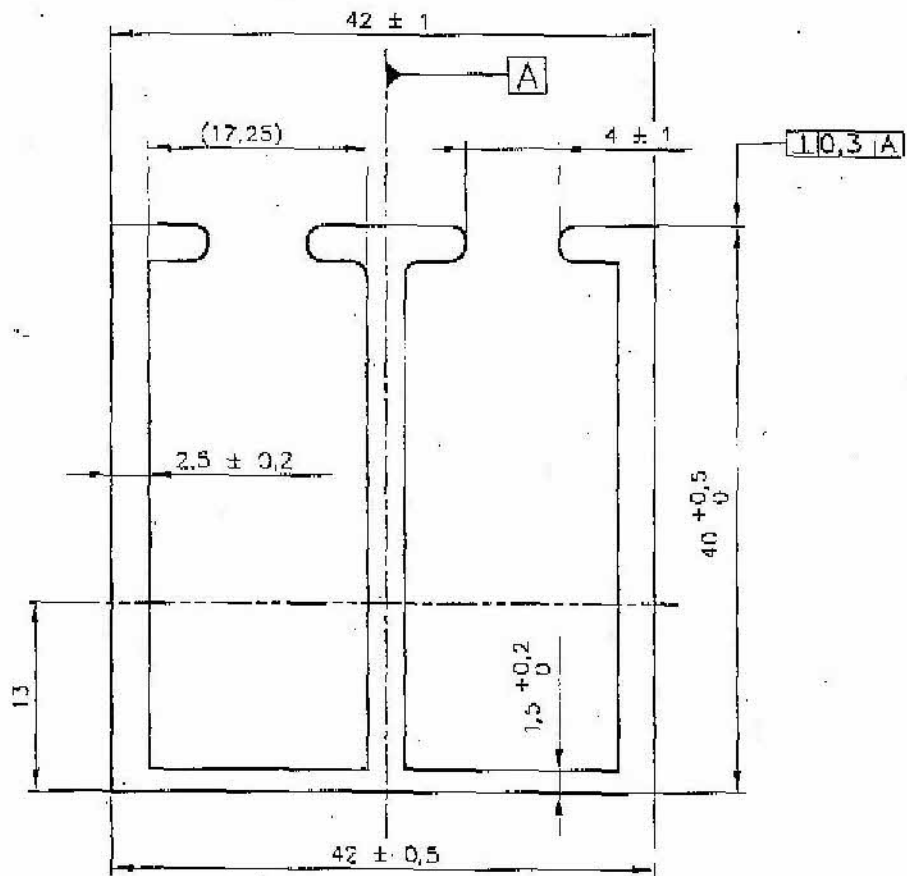
Alle Radien: $1,0 \pm 0,15$

Geradheitstoleranz gem DIN 16941 Pkt. 3.2.2.1 = 3 mm

Material: PPH 1022, original Höchst

Material: Plastic PE (customer used brand HOSTALEN PPH 1022 from germany company HOECHST
pls ask ur producer to find an substitute to that !!
Surface: nature black
Technology: Plastic Extrusion
Quantity: 1300 meter / year, cutted in fix lengths to 5,95 mtr
Tolerances: look in drawings

Scale 2 : 1	Toleranzen/Tolerances DIN 16941
Title / Description Profil für EM-1212	
Dwg. / Drawing No. GSC-17-4298-00	Blatt/Pag 1/1



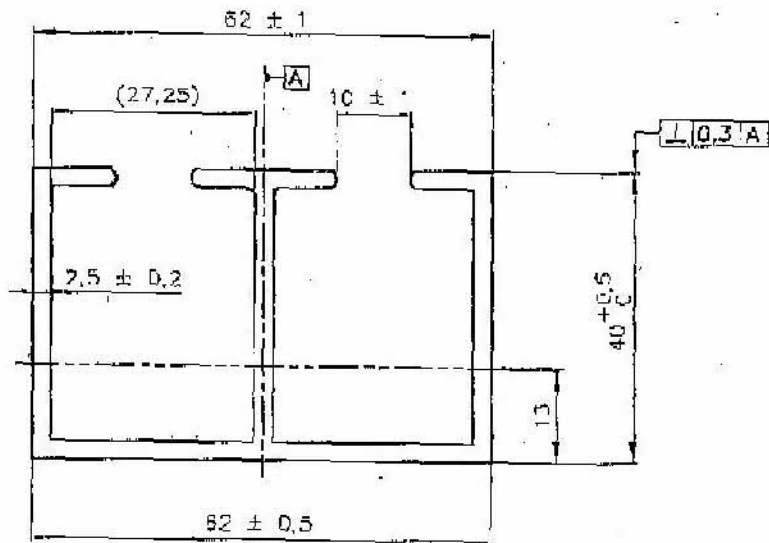
Alle Radien: $1,0 \pm 0,15$

Geradheitstoleranz gem DIN 16941 Pkt. 3.2.2.1 = 3 mm

Material: PPH 1022, original Höchst

Material: Plastic PE (customer used brand HOSTALEN PPH 1022 from germany company HOECHST
pls ask ur producer to find an substitute to that !!
Surface: nature black
Technology: Plastic Extrusion
Quantity: 1000 meter / year, cutted in fix lengths to 5,95 mtr
Tolerances: look in drawings

Maßstab/Scale 2 : 1	Toleranzen/Tolerances DIN 16941
Benennung / Description Profil für EM-1717	
Zeichnungsnr. / Drawing No. GSC-17-4299-00	Blatt/Page 1/1
Ohne Toleranzangabe sind Nominalmaße. Without dimensions nominal unless otherwise specified.	



Alle Radien: $1,0 \pm 0,15$

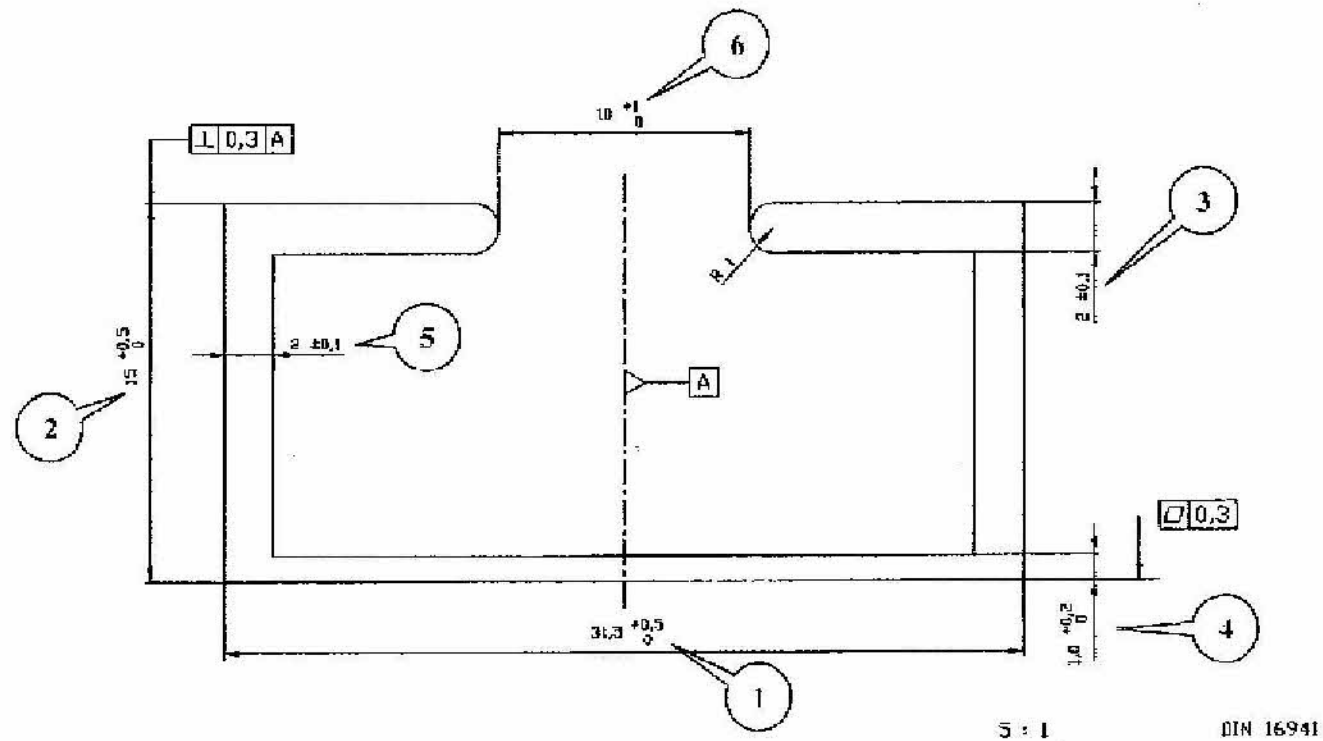
Geradheitstoleranz gem DIN 16941 Pkt. 3.2.2.1 = 3 mm

Material: PPH 1022 / Farbe: schwarz, original Höchst

Material: Plastic PE (customer used brand HOSTALEN PPH 1022 from germany company HOECHST
pls ask ur producer to find an substitute to that !!
Surface: nature black
Technology: Plastic Extrusion
Quantity: 4000 meter / year, cutted in fix lengths to 5,95 mtr
Tolerances: look in drawings

Maßstab/Scale	Toleranzen/Tolerances
1 : 1	DIN 16941
Bezeichnung / Description	
Profil für EM-2727	
Zeichnungsnummer / Drawing No.	Blatt/Page
GSC-17-4190-00	1/1

Alle Toleranzangaben sind Nominalmaße.
All dimensions nominal unless otherwise specified.



01.08.95 JS1
24.07.95 MB

EM-S20W

GSC-17-20864-00

1/1

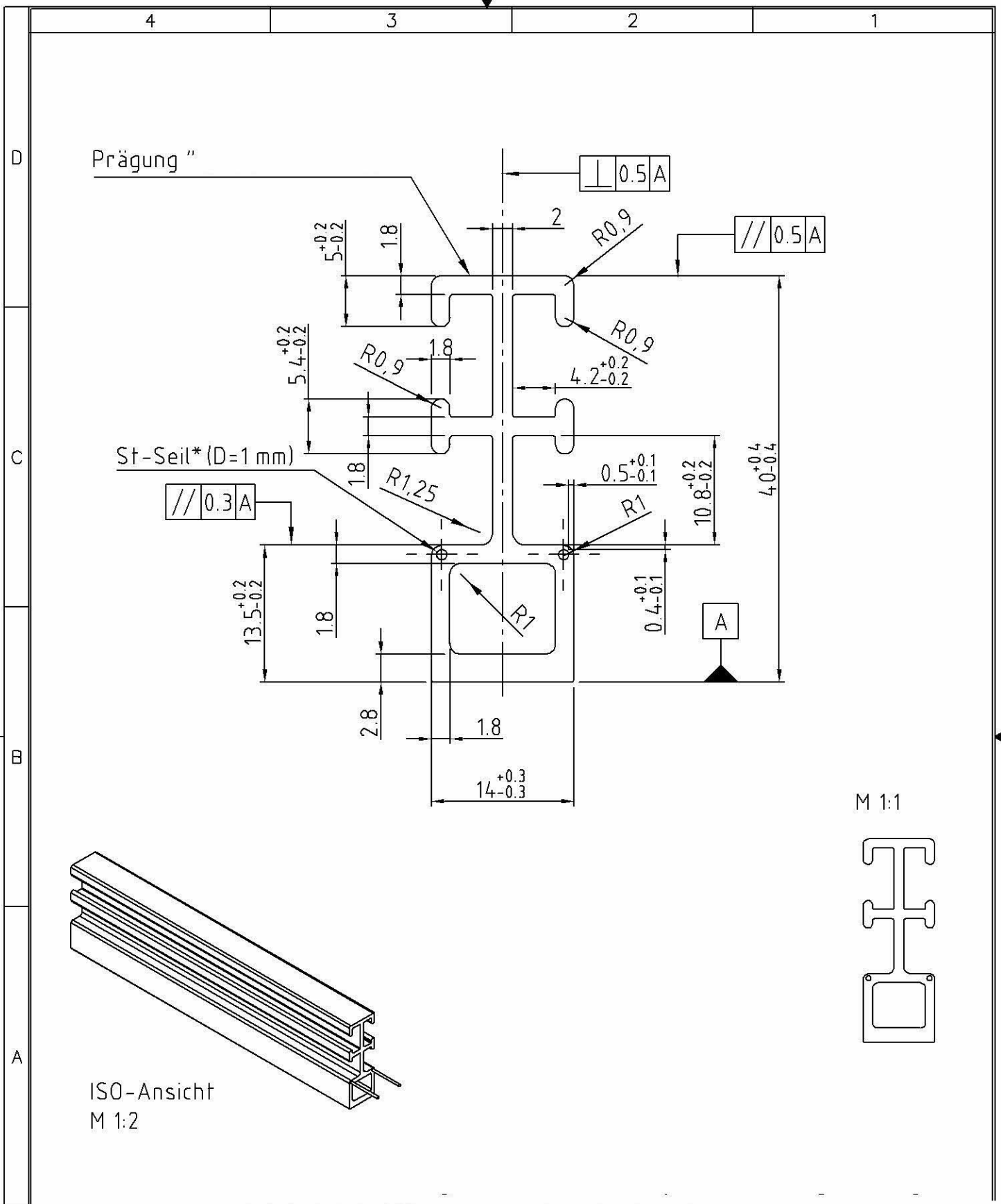
Material: Plastic PE (customer used brand HOSTALEN PPH 1022 from germany company HOECHST
pls ask ur producer to find an substitute to that !!

Surface: nature black

Technology: Plastic Extrusion

Quantity: 200 meter / year, cutted in fix lengths to 5,95 mtr

Tolerances: look in drawings



Material: Plastic PE (customer used brand HOSTALEN PPH 1022 from germany company HOECHST
pls ask ur producer to find an substitute to that !!
Surface: nature black
Technology: Plastic Extrusion
Quantity: 9400 meter / year, cutted in fix lengths to 5,95 mtr
Tolerances: look in drawings

CAD - Zeichnung Diese Zeichnung darf nur über CAD geändert werden	
Zeichnungs.-Nr.	Änd.- Nr.
953116-404	
Blatt.-Nr.: 1	Blatt.-Anz.: 1