

1:2

Achtung: "S"-Bauteil/attention: safety part

✓ available in zinc-plated blue or phosphatised

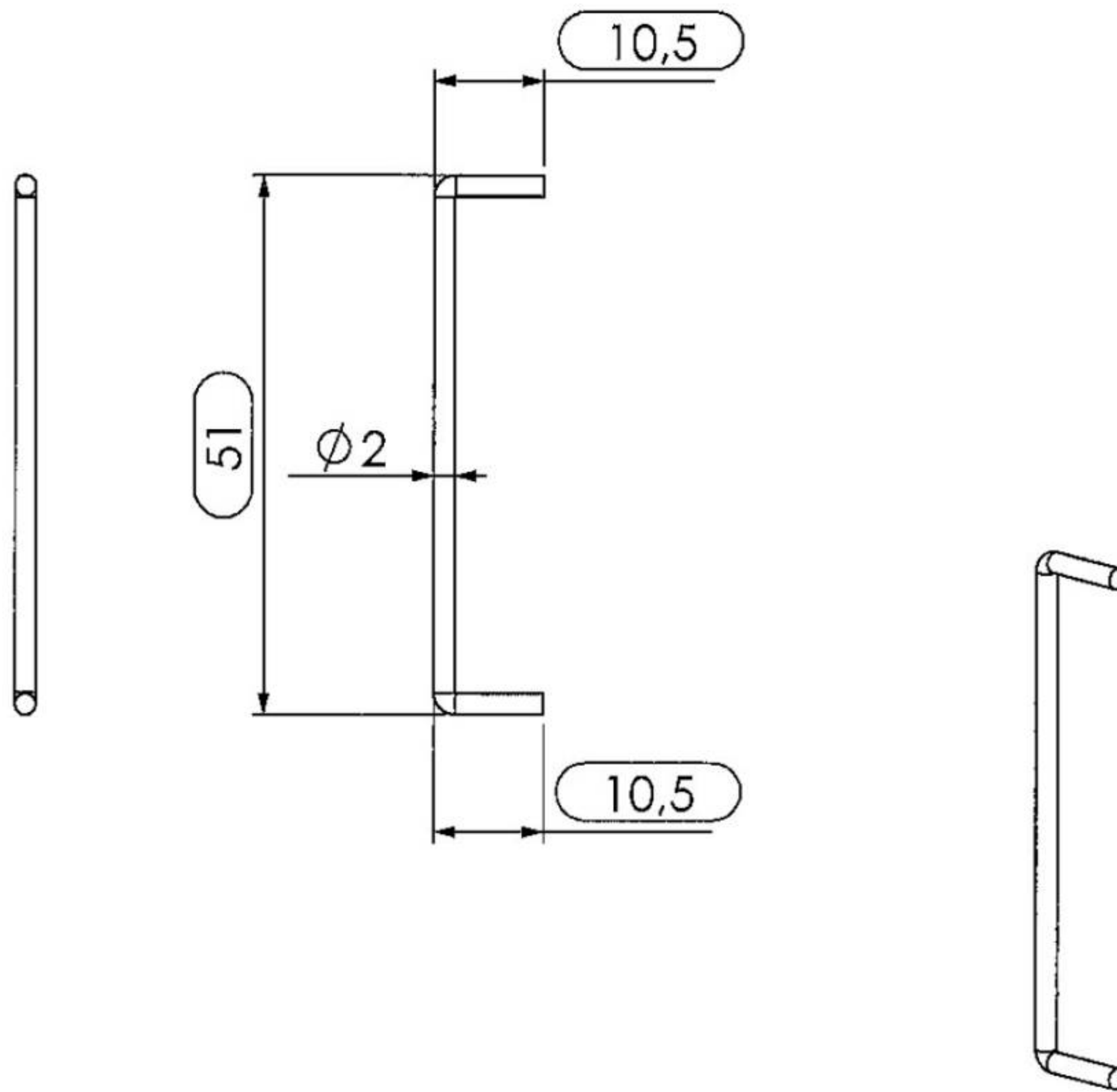
○ Prüfmaß nach DIN 406 T2 (ISO 129)/

undimensioned edges free of burrs DIN ISO 13715

**drawing-release for production**

1. Prüfer/ 1. check	Datum/ date	Unterschrift/ signature	2. Prüfer/ 2. check	Datum/ date	Unterschrift/ signature
Zust./ status	Änderung/ techn. change		Datum/ date	Name/ name	

Maßstab/scale		Projekt-Nr./ project-no.	Lief.-Nr./ supplier-no.
1:1, (1:2)		W00-03	
untoleranced dimensions DIN ISO 2768-1-middle		Werkstoff/ material	Werkstoff-Nr./ material-no.
illegitimate use of this document will be prosecuted		D5-2	1.0038
Gepr.	Datum/date	Name/name	Halbzeug/ semifinished part
	17.05.10	Figgner	DIN 177
Bearb./ drawn			Gewicht/ weight
			0,010 kg
Gepr./ checked			Benennung/article
			cramp 1 release SG 09 triple
Norm/ standard			Teile-Nr./article-no.
			07-001638
			Zeichnungs-Nr./drawing-no.
			W00-03-091
			Index/ index
			Blatt/ sheet
			Ers. f.:/ replacement for:
			Ers. d.:/ replaced by:



✓ available in zinc-plated blue or phosphatised

 inspected dimension DIN 406 T2 (ISO 129)

undimensioned edges free of burrs DIN ISO 13715

**Zeichnungsfreigabe zur Fertigung/  
drawing-release for production**

1. Prüfer/ 1. check	Datum/ date	Unterschrift/ signature	2. Prüfer/ 2. check	Datum/ date	Unterschrift/ signature

untoleranced dimensions  
DIN ISO 2768-1-middle

illegitimate use of this  
document will be prosecuted

Maßstab/scale

1:1

Projekt-Nr./  
project-no.

Lief.-Nr./  
supplier-no.

Werkstoff/  
material

D5-2

Werkstoff-Nr./  
material-no.

1.0038

Halbzeug/  
semifinished part

Gewicht/  
weight

0,002 kg

Bearb./  
drawed

17.05.10

Figgener

Gepr./  
checked

21/05/10



Norm/  
standard

Benennung/article

cramp 2 release SG 09 triple

Teile-Nr./article-no.

07-001639

Zeichnungs-Nr./drawing-no.

W00-03-092

Index/  
index

Blatt/  
sheet

Zust./  
status

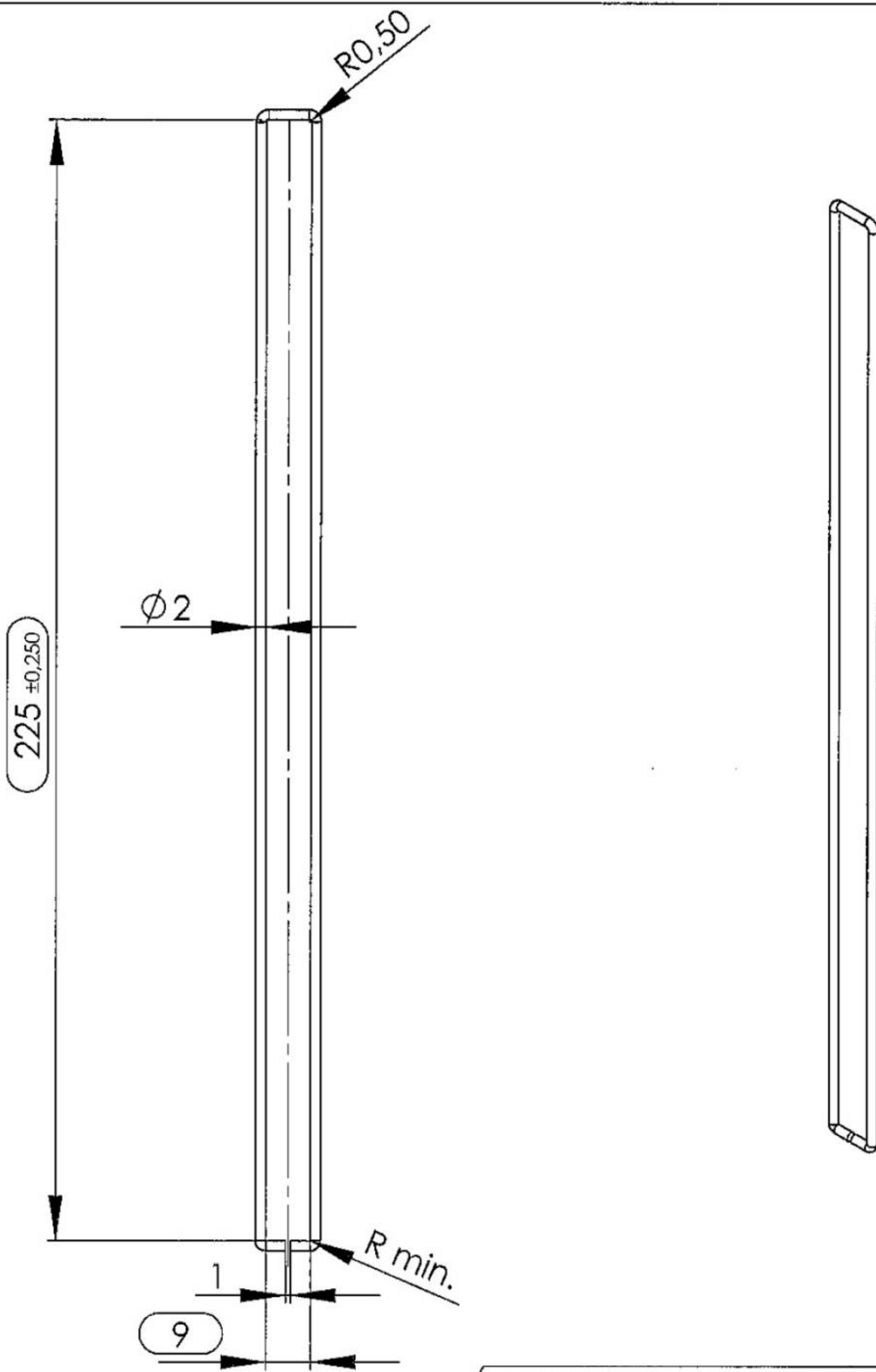
Änderung/  
techn. change

Datum/  
date

Name/  
name

Ers. f.:/  
replacement for:

Ers. d.:/  
replaced by:



✓ available in zinc-plated blue or phosphatised

Achtung: "S"-Bauteil/attention: safety part

 inspected dimension DIN 406 T2 (ISO 129)

undimensioned edges free of burrs DIN ISO 13715

**drawing-release for production**

1. Prüfer/ 1. check	Datum/ date	Unterschrift/ signature	2. Prüfer/ 2. check	Datum/ date	Unterschrift/ signature
Zust./ status	Änderung/ techn. change	Datum/ date	Name/ name		

Maßstab/scale		Projekt-Nr./ project-no.	W00-03	Lief.-Nr./ supplier-no.	
1:1,5		Werkstoff/ material	D5-2	Werkstoff-Nr./ material-no.	1.0038
	Datum/date	Name/name	Halbzeug/ semifinished part	DIN 177	Gewicht/ weight
	17.05.10	Figgner			0,012 kg
			Benennung/article		
			cramp release SG 06/09		
			Telle-Nr./article-no.	Zeichnungs-Nr./drawing-no.	Index/ index
			07-001632	W00-03-080	Blatt/ sheet
			Ers. f.:/ replacement for:	Ers. d.:/ replaced by:	

illegitimate use of this document will be prosecuted