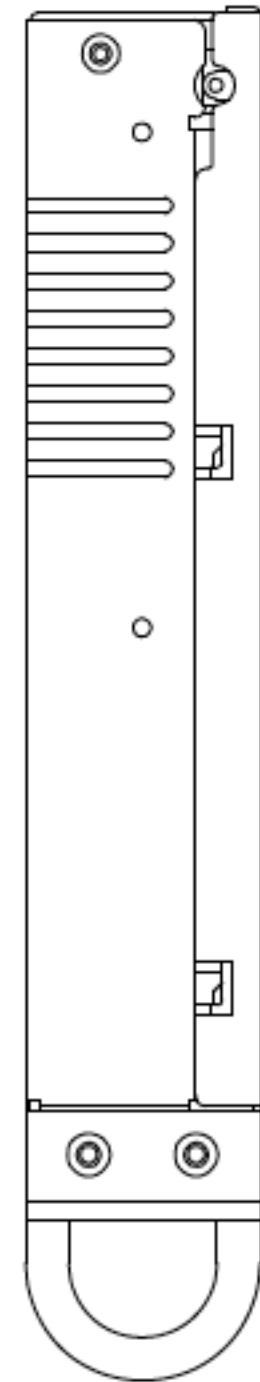
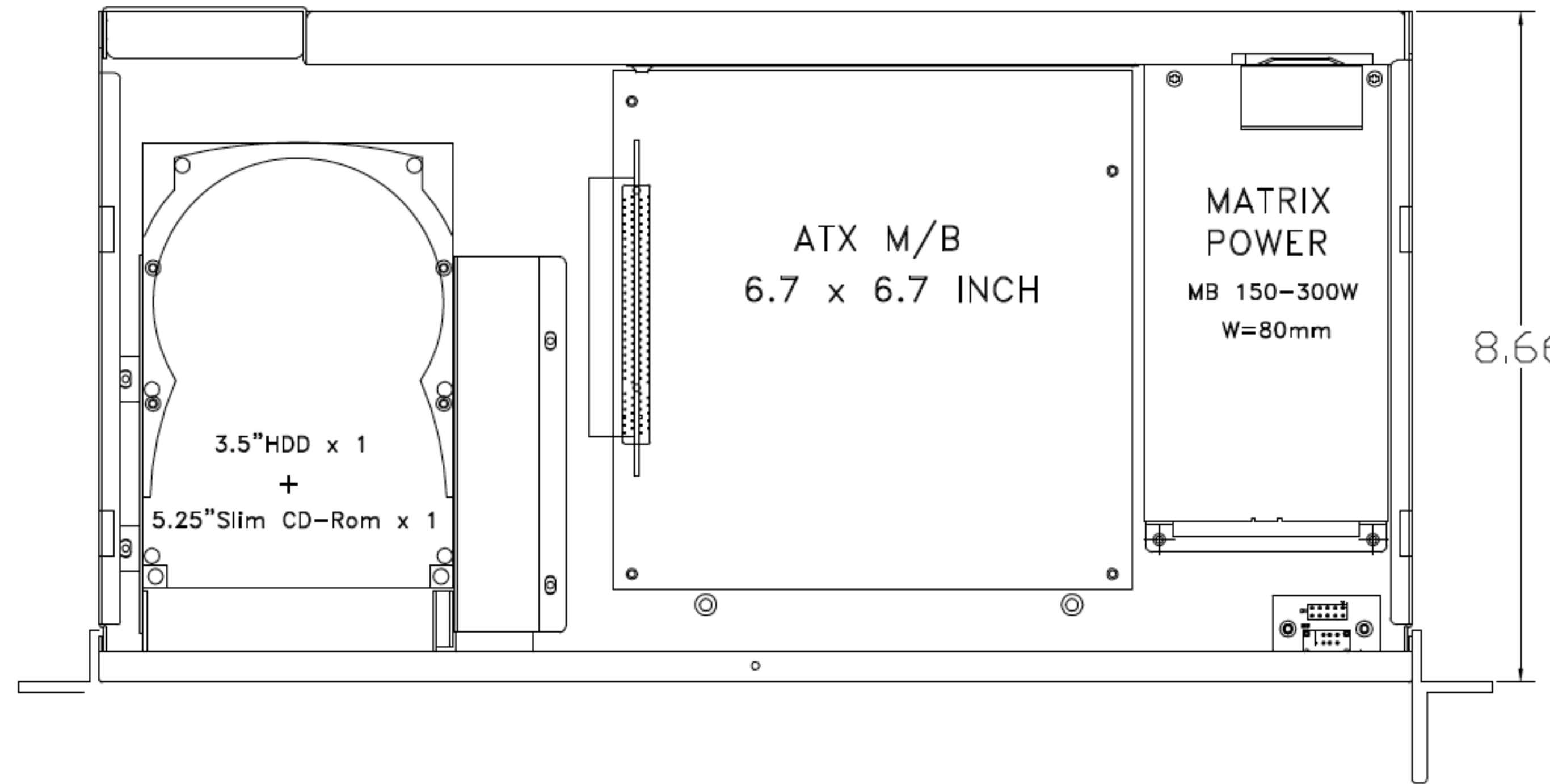


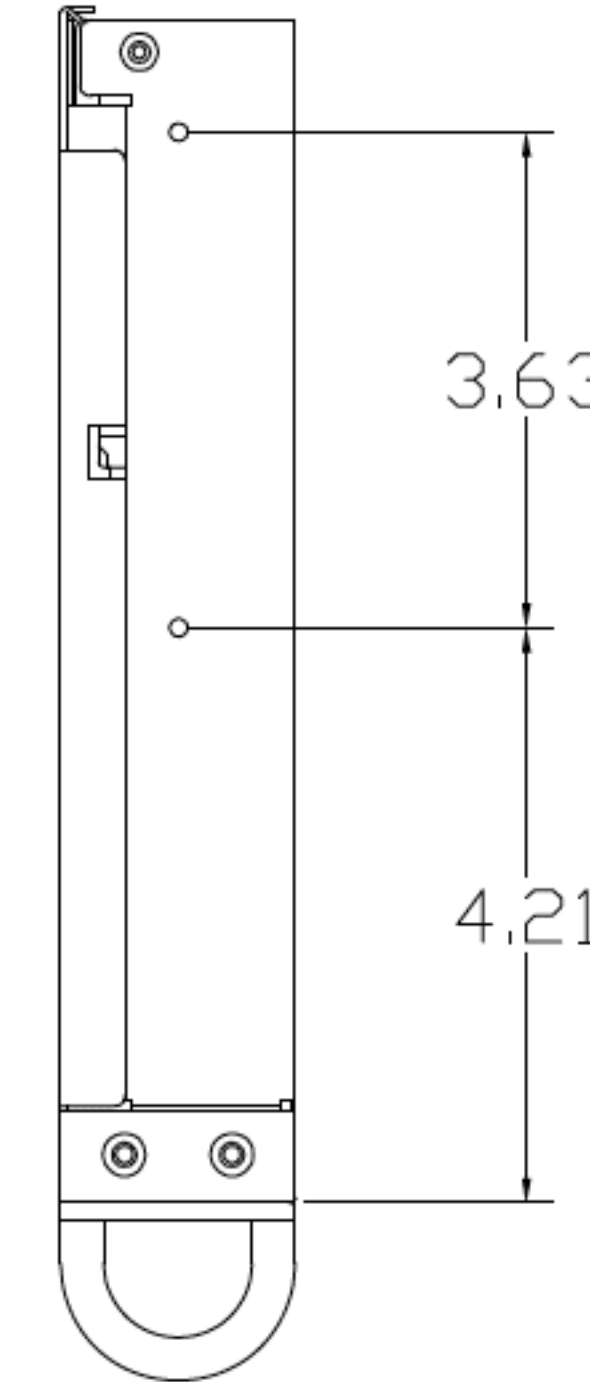
Rear View



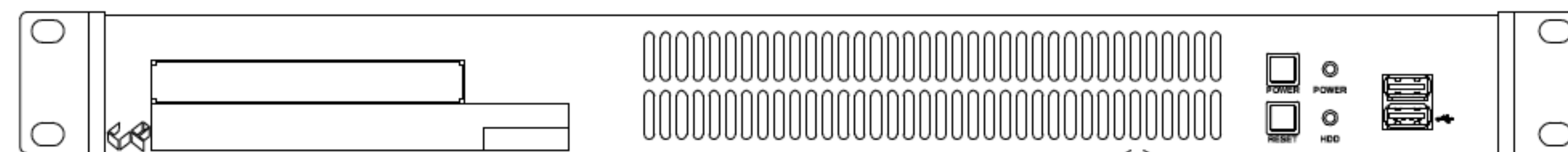
Left View



Top View



Right View



Front View

UNLESS OTHERWISE SPECIFIED DIMENSIONS ARE IN INCHES.
 TOLERANCES ARE: DECIMALS .X ± .1 ANGLES
 .XX ± .03 ± 0°30'
 .XXX ± .010
 SCALE: NONE

MATERIAL	TITLE
FINISH	F10 SERIES CHASSIS 1U 6.7" x 6.7" MOTHERBOARD CUSTOMER DRAWING
PART NUMBER	
F10 CUSTOMER DRAWING	
FILE: F10_CUSTOMER_DRAWING DATE: 1/31/2005	SHEET 1 OF 1