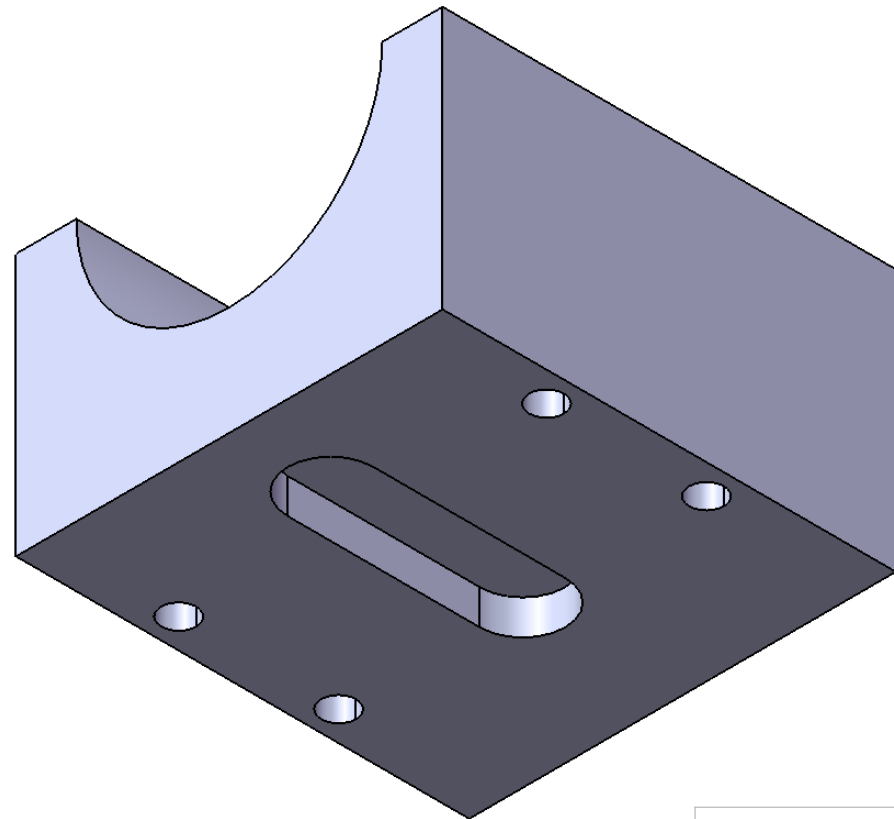
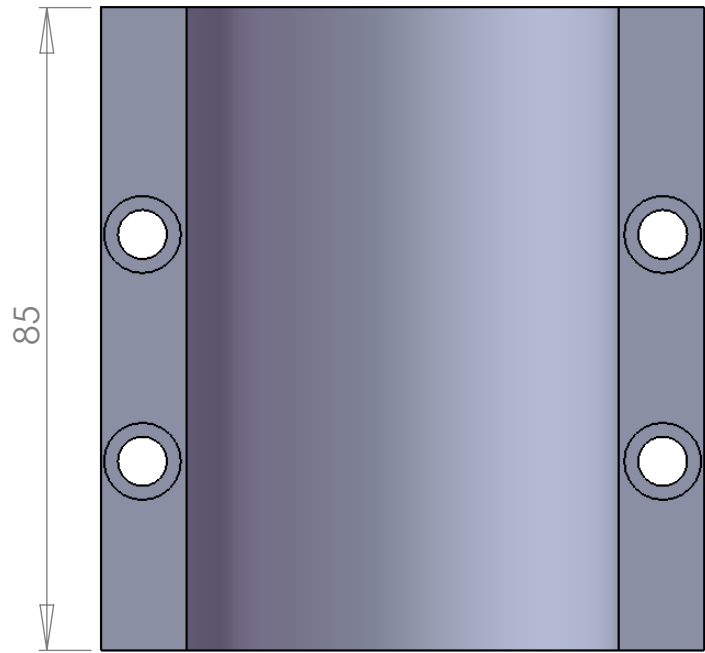
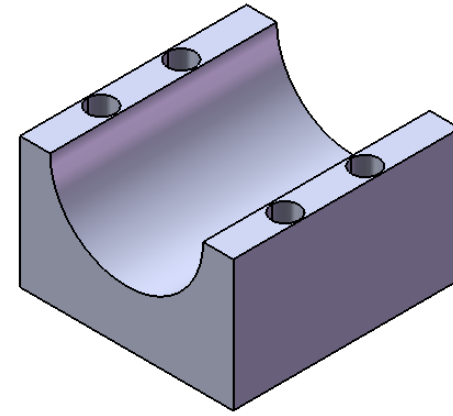
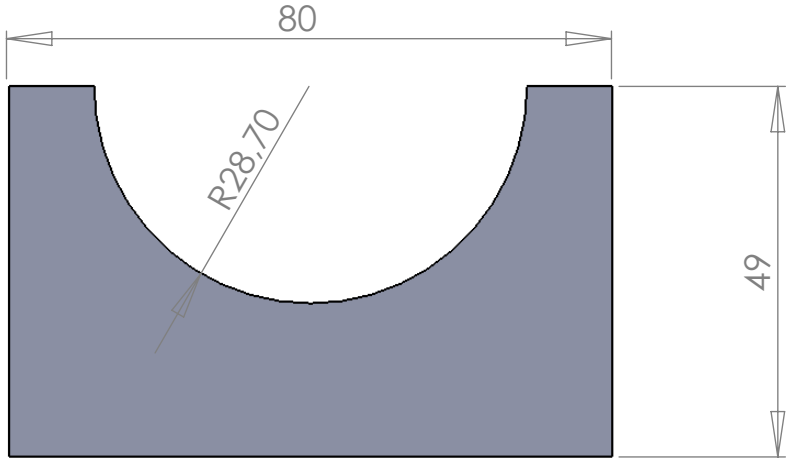


DWG NO. \_\_\_\_\_

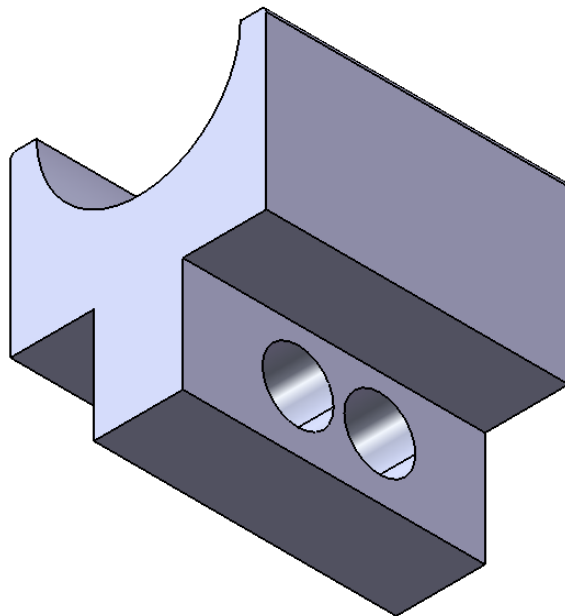
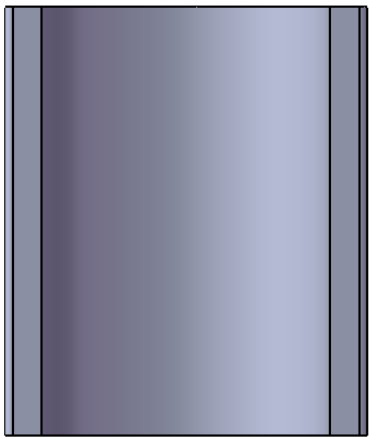
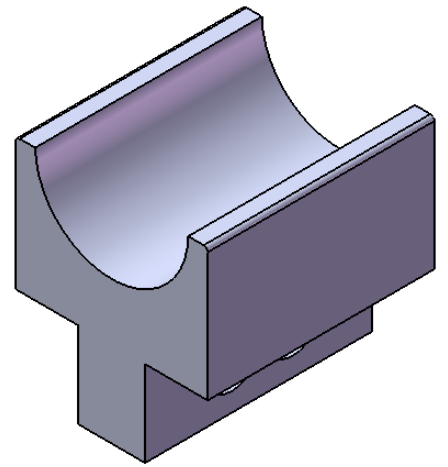
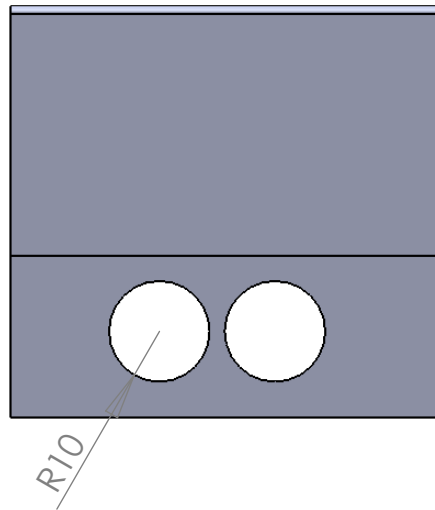
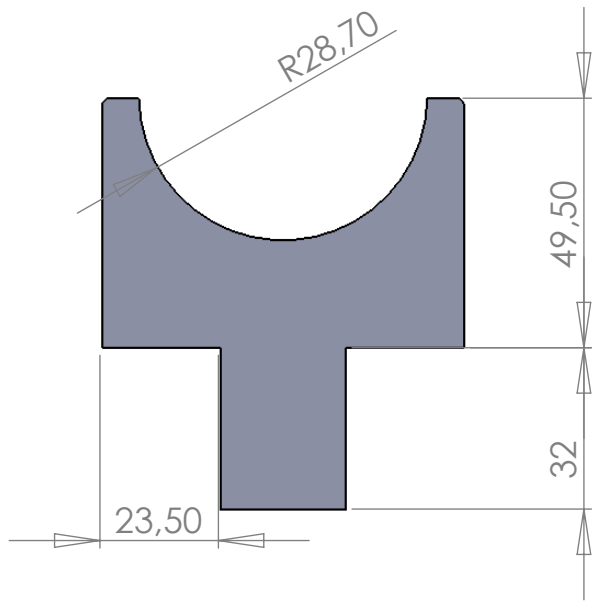
WEIGHT: \_\_\_\_\_



DWG NO.

WEIGHT:

1 2 3 4 5 6



DWG NO.

1 2 3 4 5 6

WEIGHT:

1

2

3

4

5

6

A

A

B

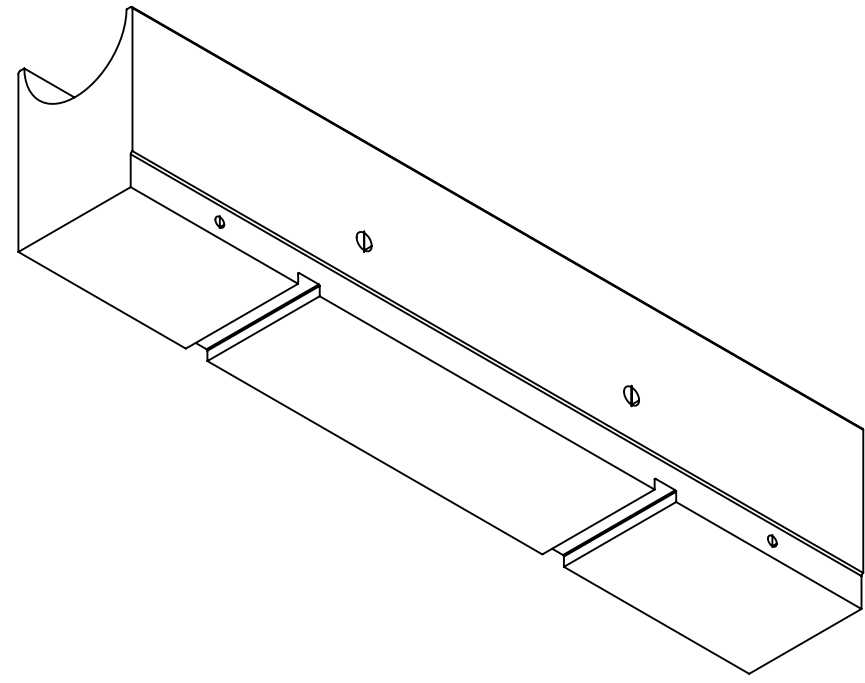
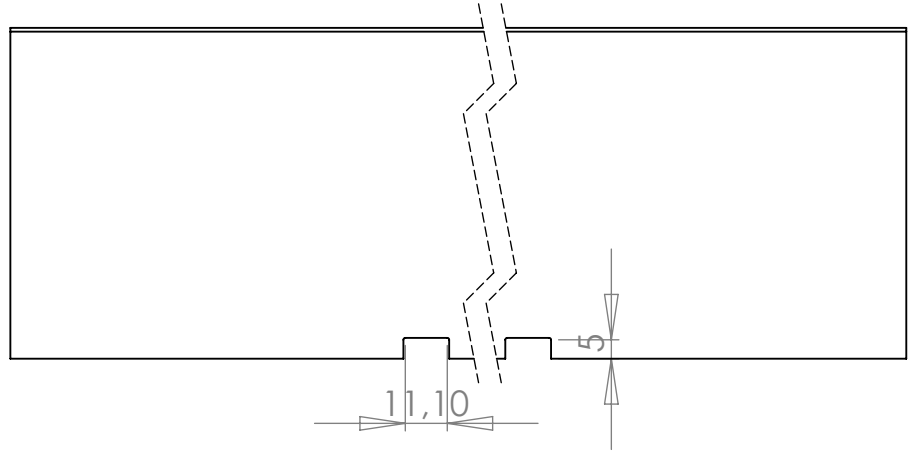
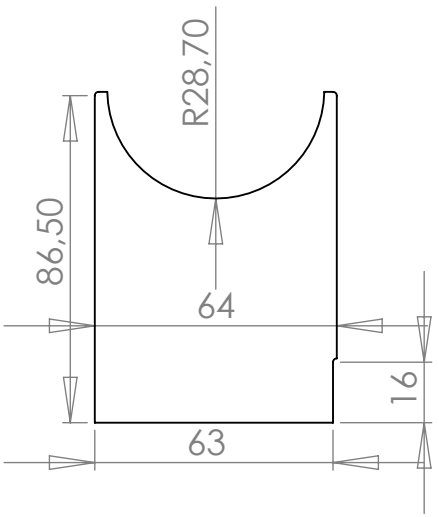
B

C

C

D

D



DWG NO. \_\_\_\_\_

WEIGHT: \_\_\_\_\_

1

2

3

4

5

WEIGHT: