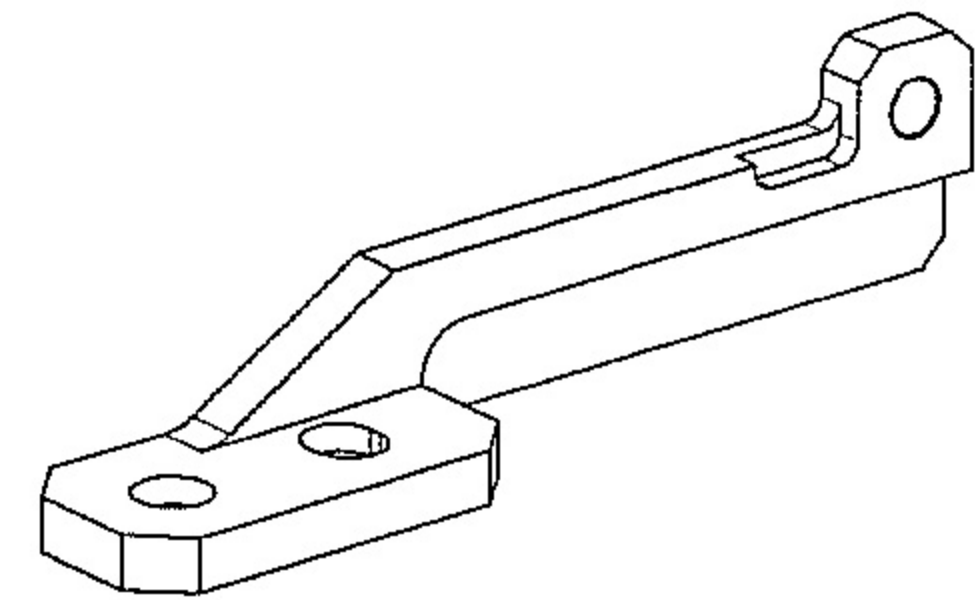
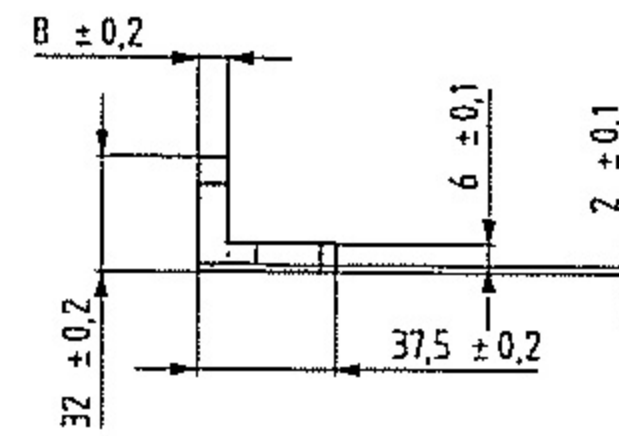


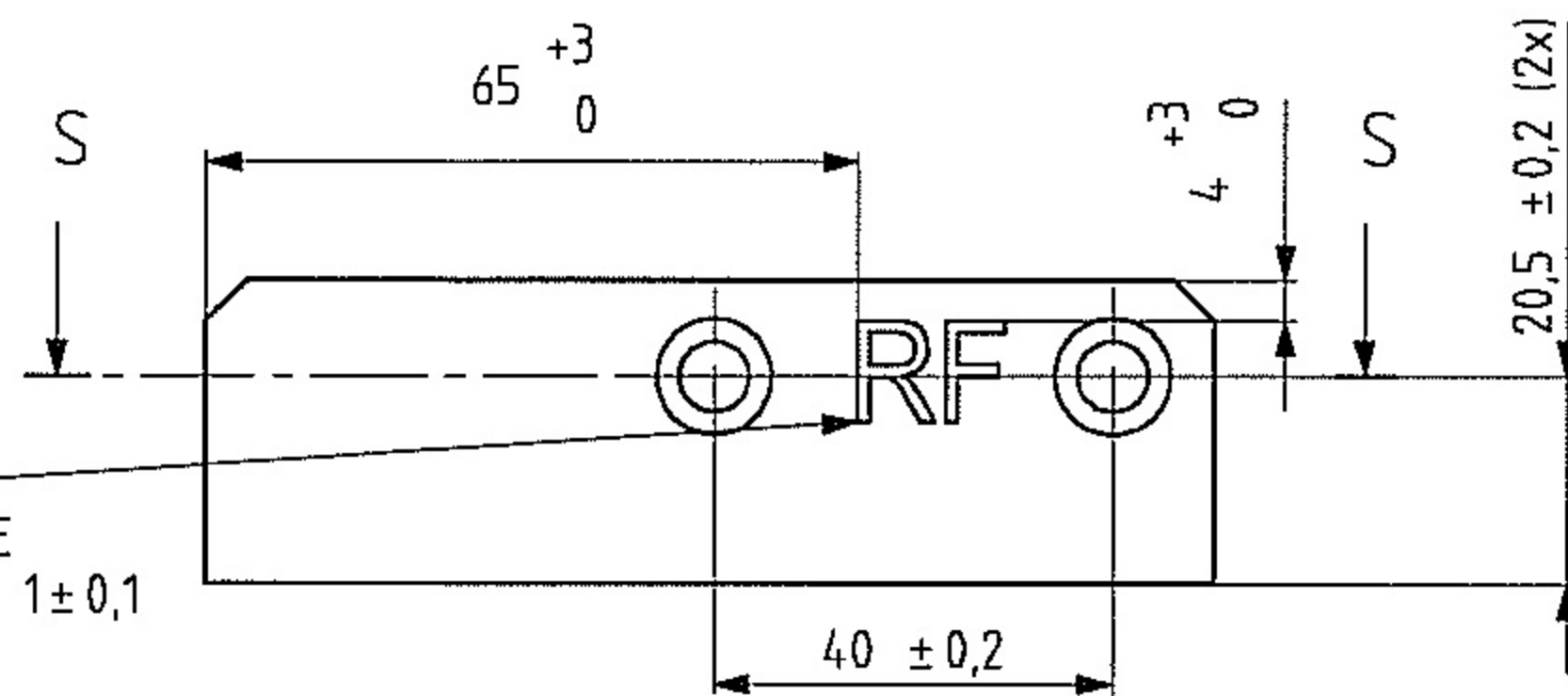
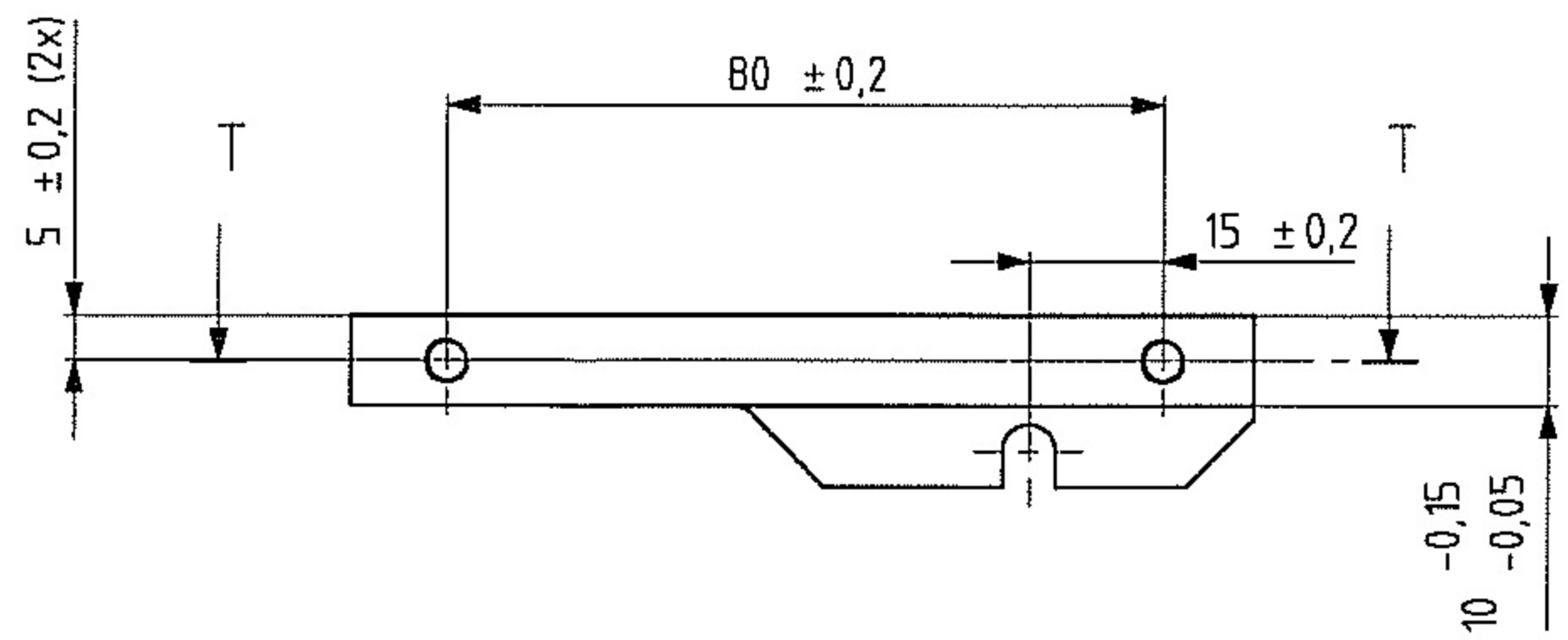
SECTION T-T
SCALE 2:1



3D-VIEW

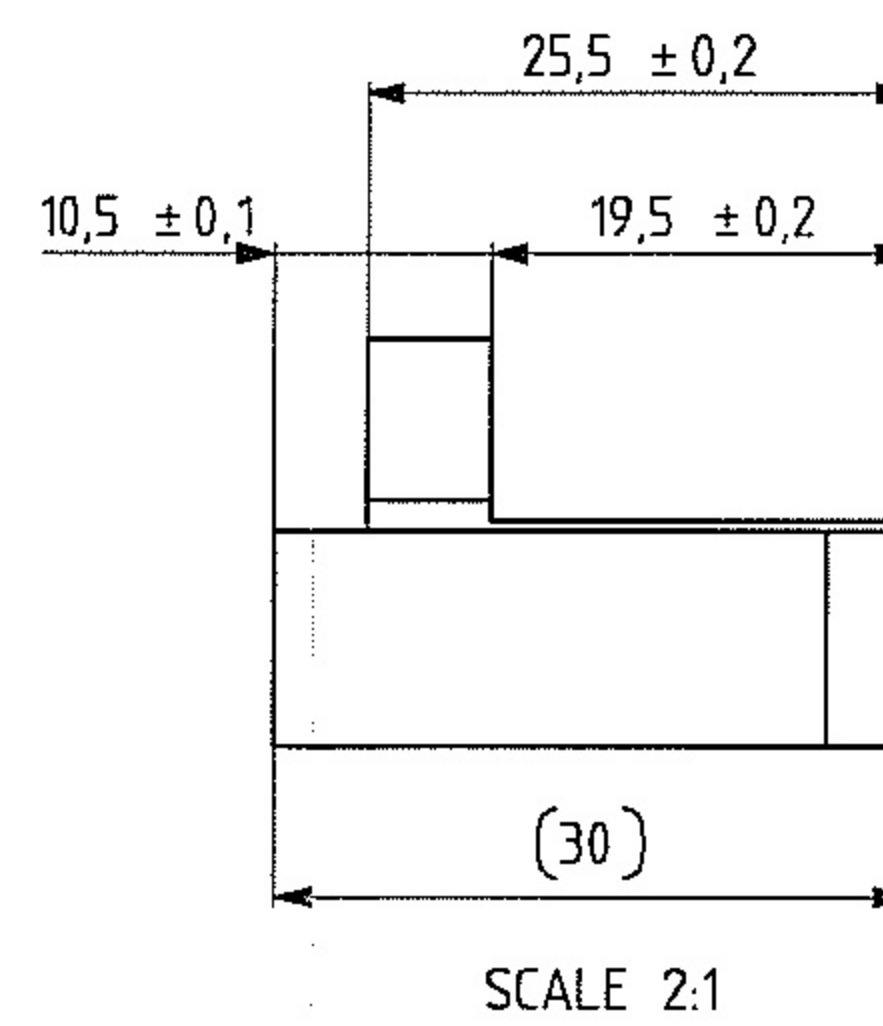
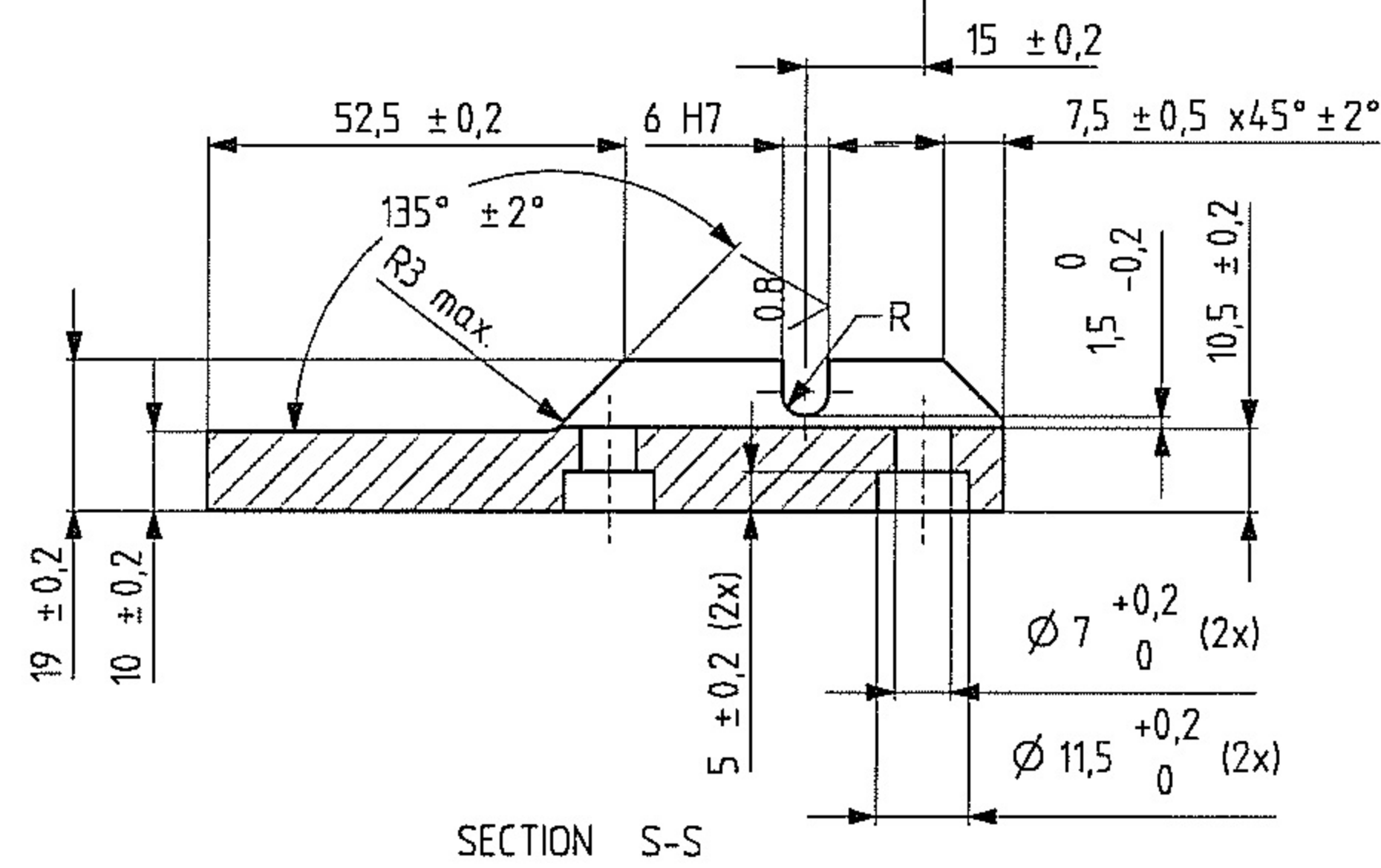
NOTE: REMOVE SHARP EDGES

FIRST ANGLE PROJECTION (EUROPEAN)	MATERIAL NUMBER	TOLERANCES ON LINEAR DIMENSIONS UNLESS OTHERWISE SPECIFIED	FOR DRAWING INTERPRETATION
	1.4301; AISI 304	x = ±0,05 xx = ±0,005	TPD 00 0000
SURFACE / MEAT / AFTER TREATMENT	TOLERANCES ON ANGLES UNLESS OTHERWISE SPECIFIED	SCALE	1:1
	x° = ±0,25° xx° = ±0,005°	UNITS	mm
SURFACE ROUGHNESS (Ra) UNLESS OTHERWISE SPECIFIED	3,2	UNIT	mm
	(UNITS: mm)	PART NUMBER	1) 2007-07-73
4022.637.3025			
CHECKED BY	STATUS: FREE-RELEASED	NAME: CROVDELOVA	DO NOT SCALE DRAWING

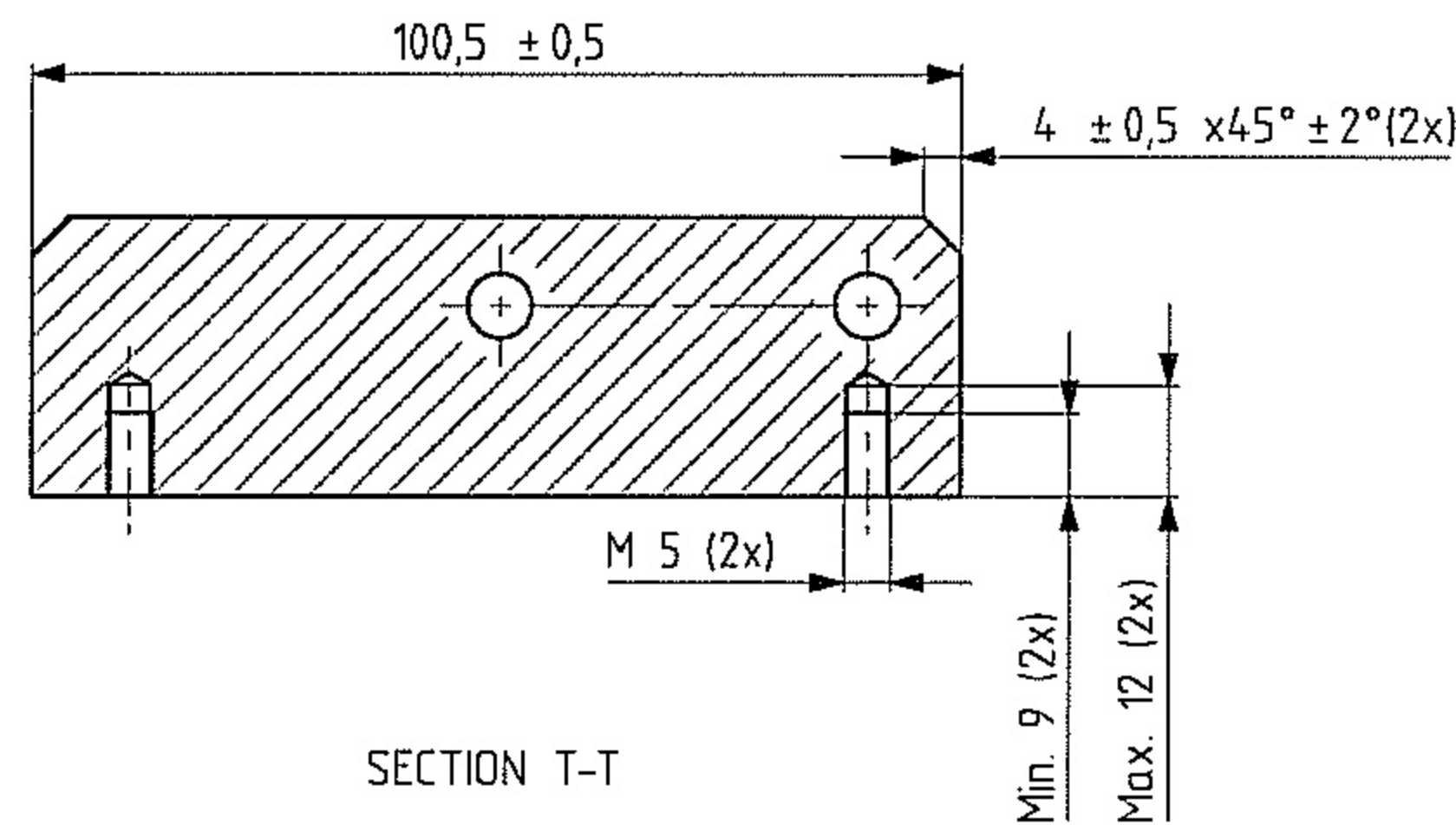


ENGRAVE INSCRIPTION
 LETTER TYPE EUROSTYLE
 WRITING, LINE THICKNESS 1±0,1
 TEXTHEIGHT 10MM

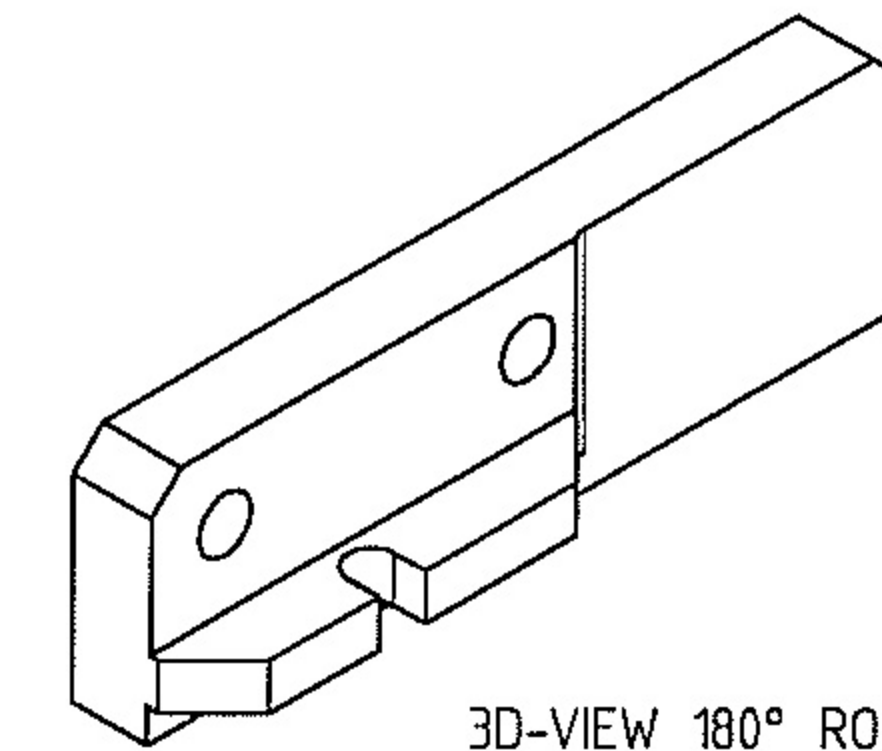
TEXT: RF



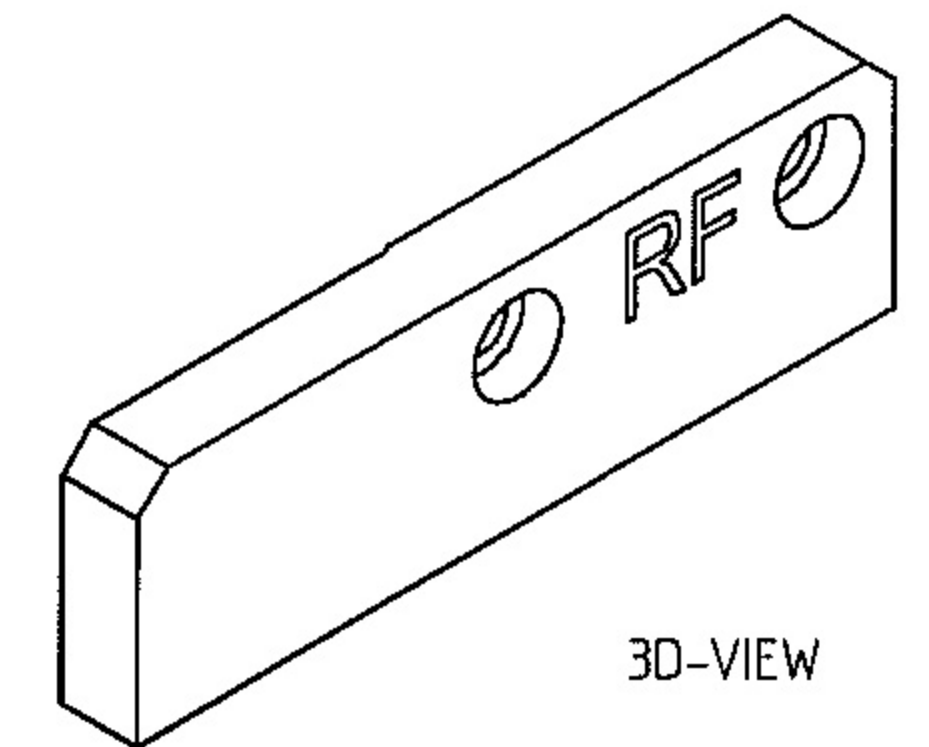
SCALE 2:1



SECTION T-T



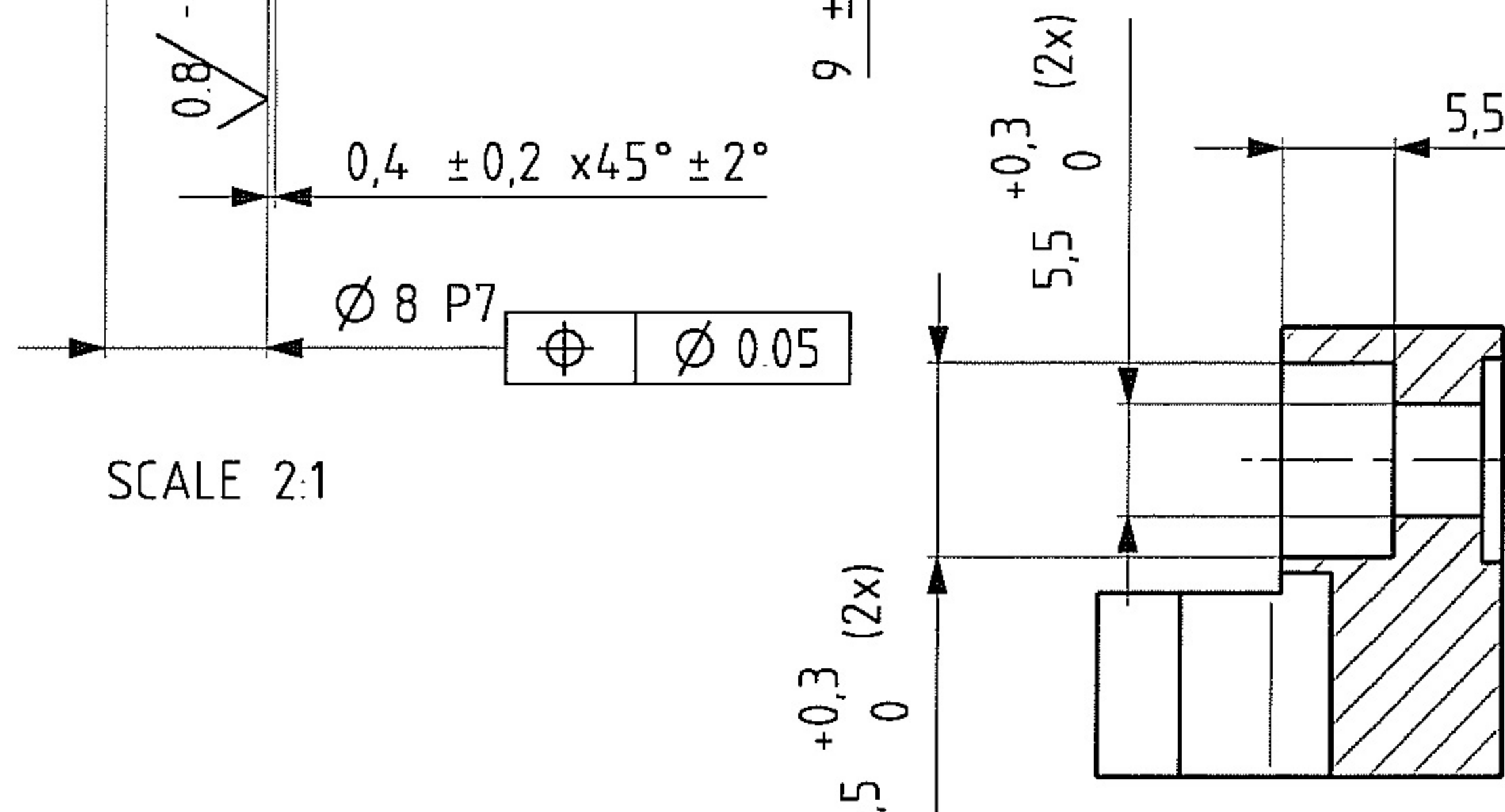
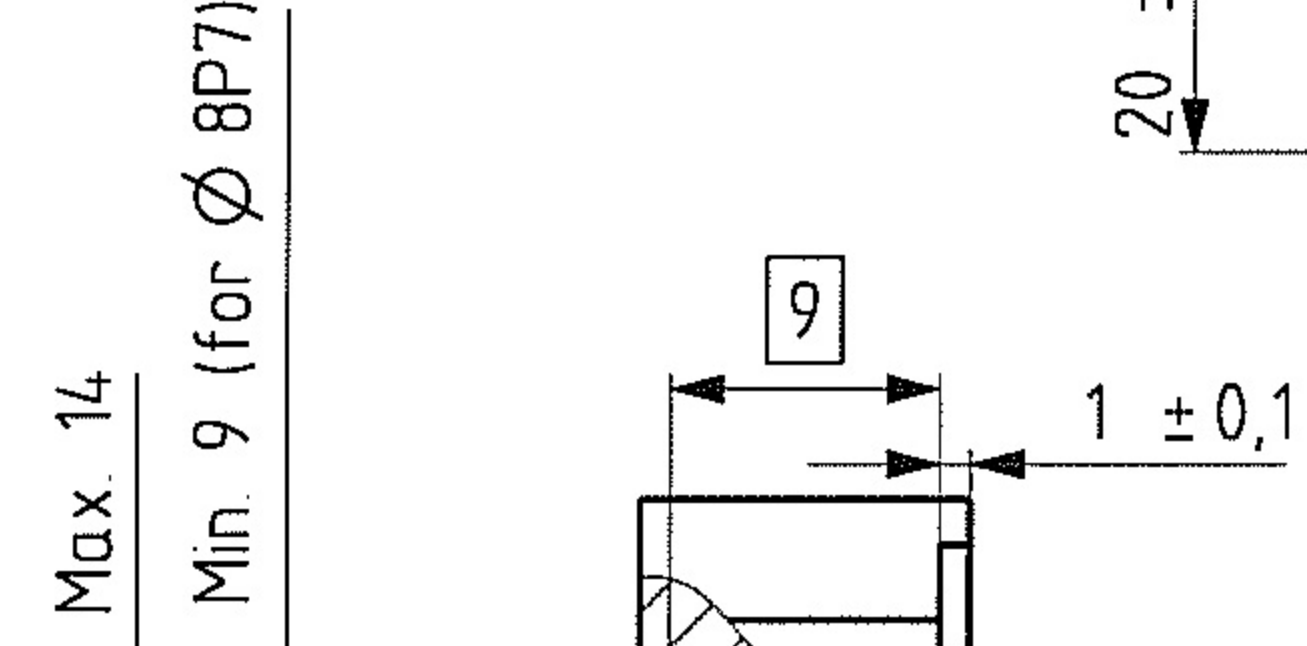
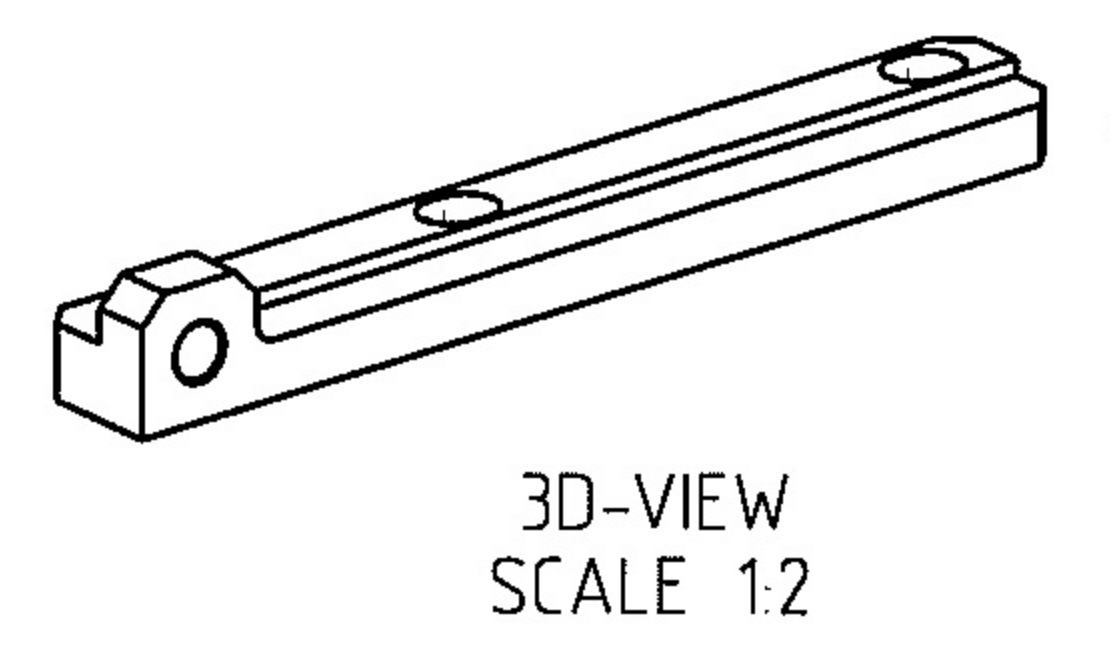
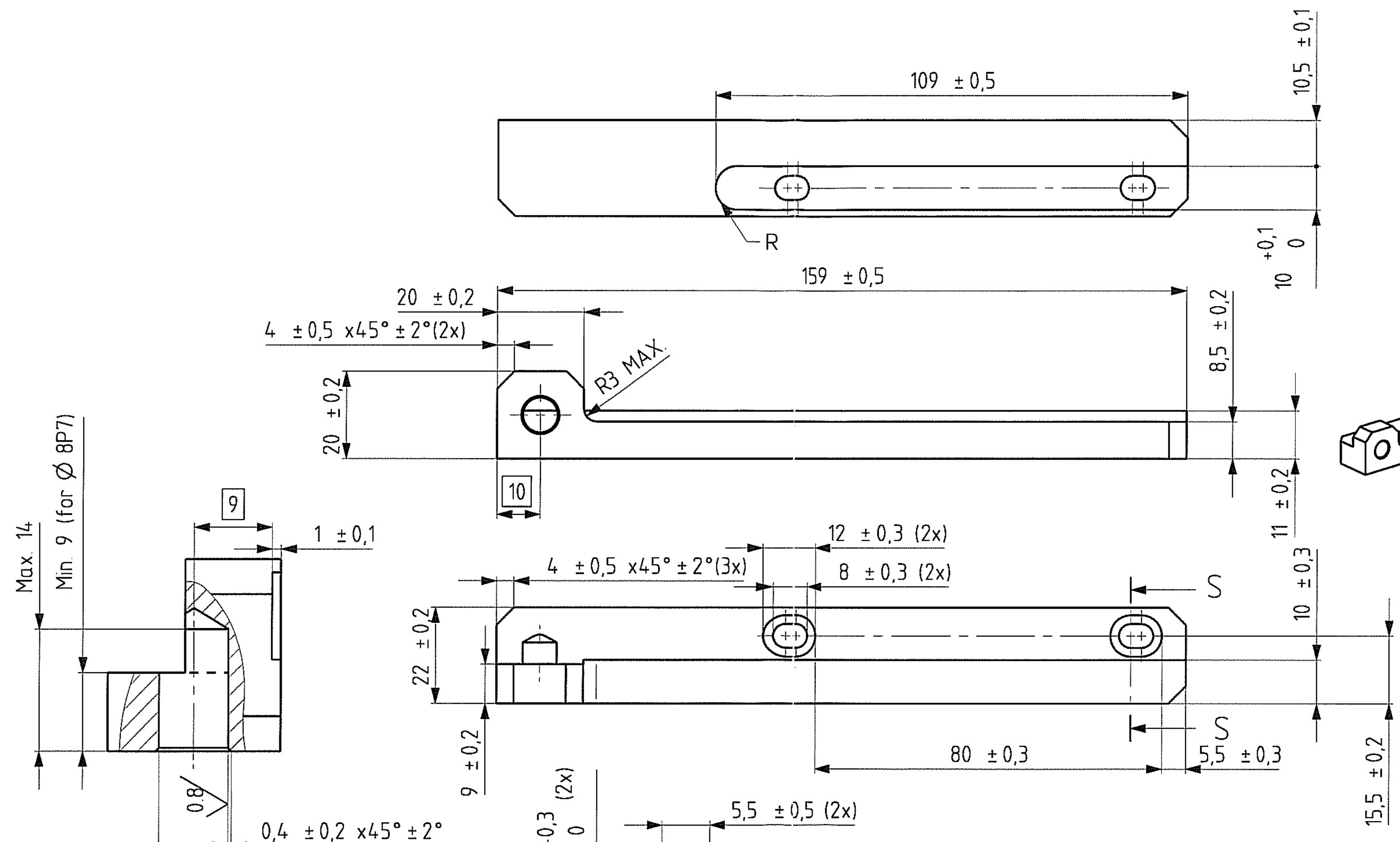
3D-VIEW 180° ROTATED



3D-VIEW

NOTE: REMOVE SHARP EDGES

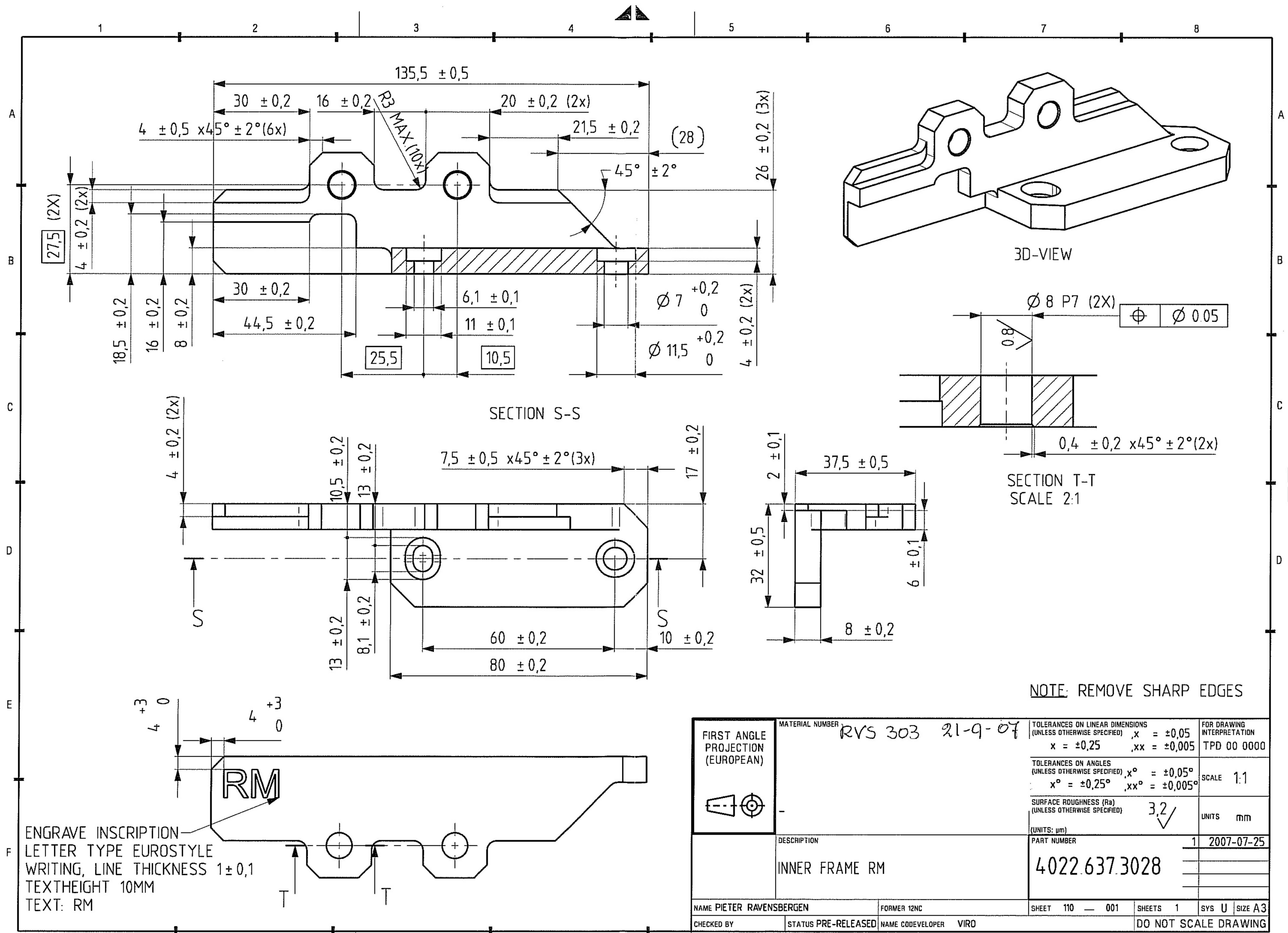
FIRST ANGLE PROJECTION (EUROPEAN)	MATERIAL NUMBER	1.4-301; AISI 304	TOLERANCES ON LINEAR DIMENSIONS (UNLESS OTHERWISE SPECIFIED)	x = ±0,25 xx = ±0,005	FOR DRAWING INTERPRETATION	TPD 00 0000
	SURFACE / HEAT / AFTER TREATMENT	-	TOLERANCES ON ANGLES (UNLESS OTHERWISE SPECIFIED)	x° = ±0,25° xx° = ±0,005°	SCALE	1:1
	DESCRIPTION	OUTER FRAME RF UPPER PART	SURFACE FINISHNESS (Ra) (UNLESS OTHERWISE SPECIFIED)	3,2	UNITS	mm
			(UNITS: μm)		PART NUMBER	4022.637.3026
					FORMER 12NC	SHEET 110 - 001 SHEETS 1 SVS U SIZE A2
CHECKED BY	STATUS PRE-RELEASED	NAME CODEVELOPER	VIRD			DO NOT SCALE DRAWING



SECTION S-S
SCALE 2:1

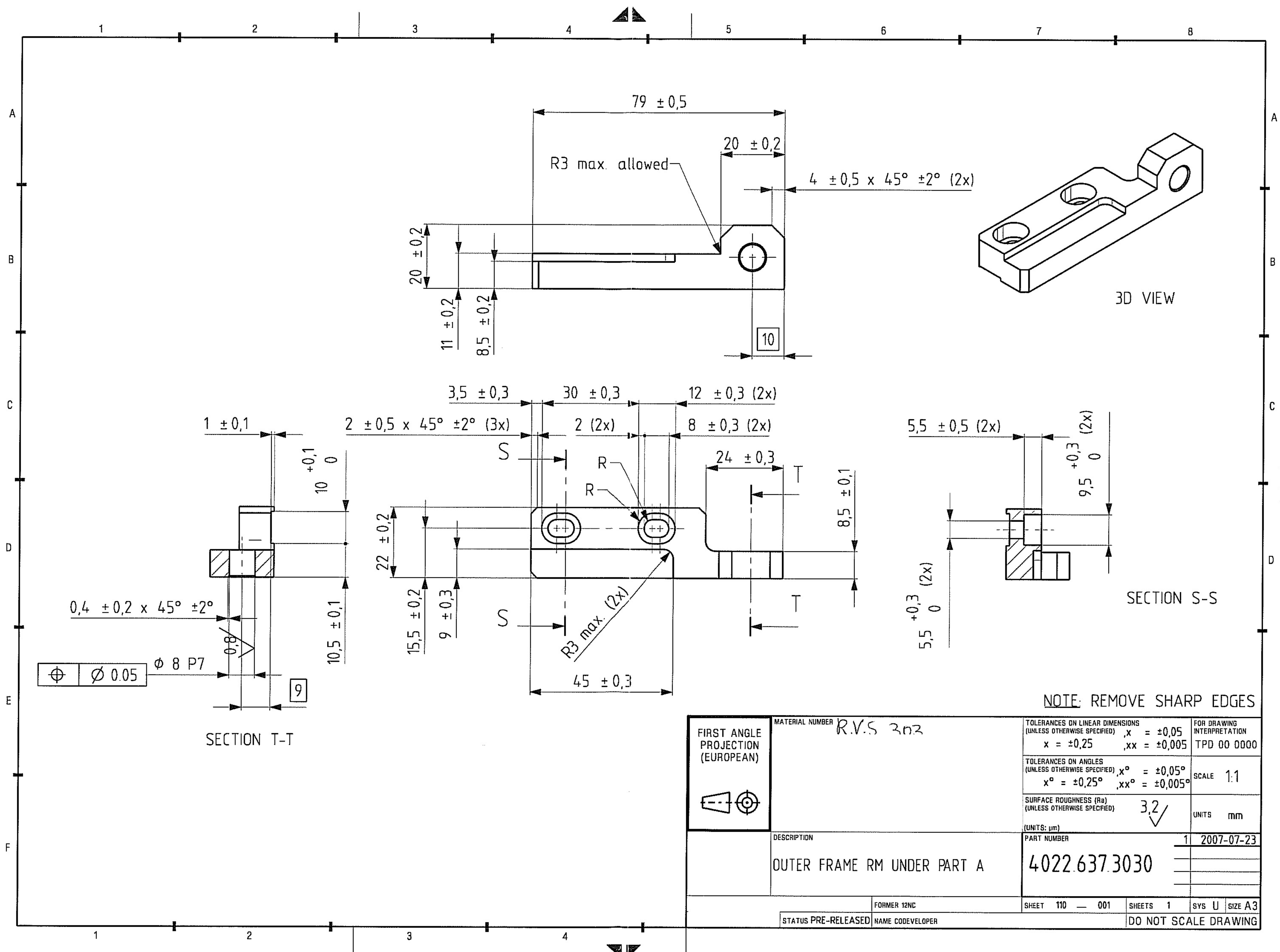
NOTE: REMOVE SHARP EDGES

FIRST ANGLE PROJECTION (EUROPEAN) 	MATERIAL NUMBER R.V.S 303 21-9-07		TOLERANCES ON LINEAR DIMENSIONS (UNLESS OTHERWISE SPECIFIED) ,x = $\pm 0,05$ x = $\pm 0,25$,xx = $\pm 0,005$		FOR DRAWING INTERPRETATION TPD 00 0000	
			TOLERANCES ON ANGLES (UNLESS OTHERWISE SPECIFIED) ,x° = $\pm 0,05^\circ$ x° = $\pm 0,25^\circ$,xx° = $\pm 0,005^\circ$		SCALE 1:1	
			SURFACE ROUGHNESS (Ra) (UNLESS OTHERWISE SPECIFIED) 3,2 ✓		UNITS mm	
DESCRIPTION OUTER FRAME RF UNDER PART			PART NUMBER 4022.637.3027		SHEET 110 — 001 SHEETS 1 SYS U SIZE A3	
CHECKED BY 			STATUS PRE-RELEASED NAME CODEVELOPER VIRO		DO NOT SCALE DRAWING	



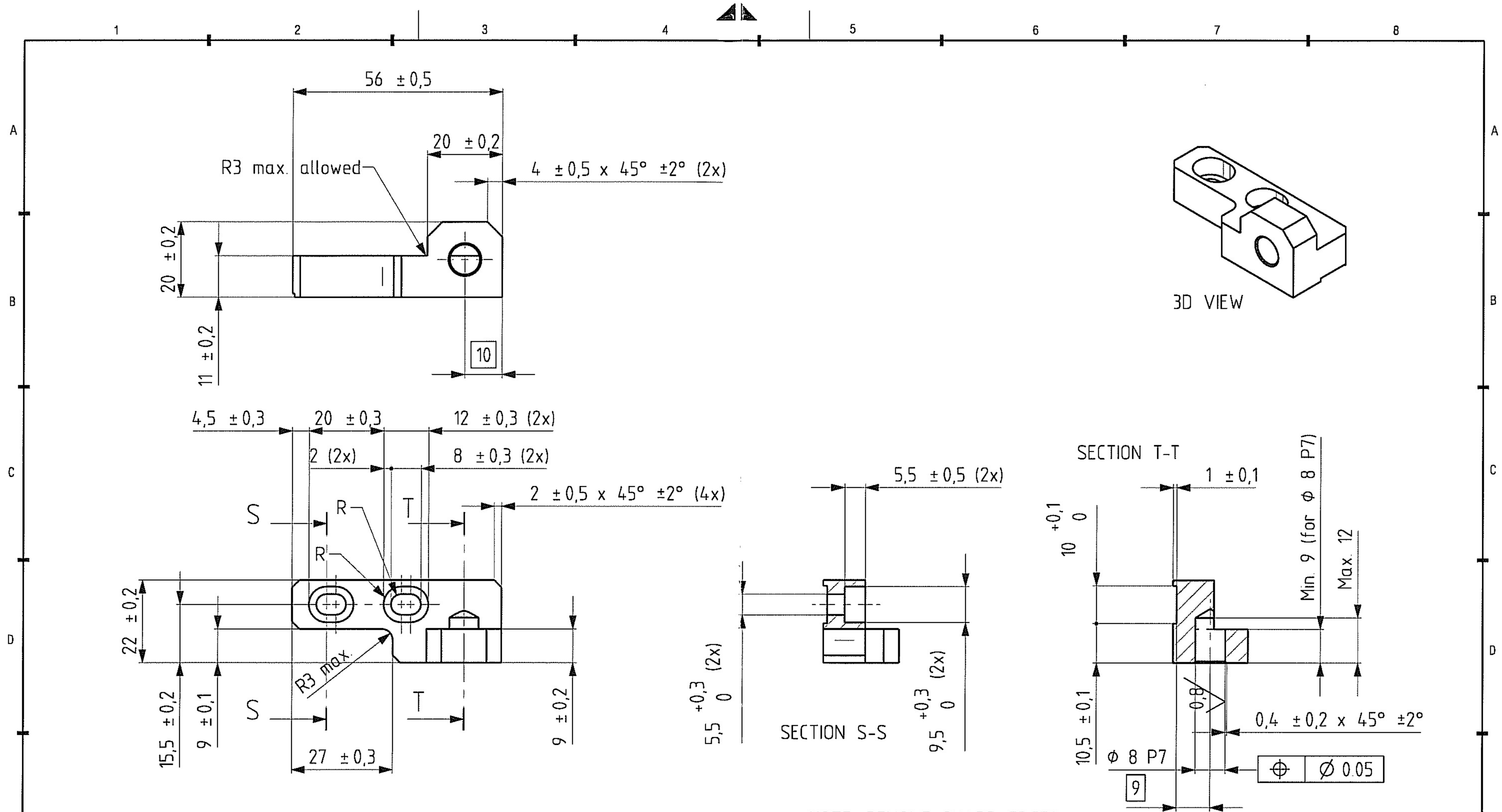
ENGRAVE INSCRIPTION
 LETTER TYPE EUROSTYLE
 WRITING, LINE THICKNESS 1 ± 0,1
 TEXTHEIGHT 10MM
 TEXT: RM

FIRST ANGLE PROJECTION (EUROPEAN)	MATERIAL NUMBER	RVS 303 21-9-07	TOLERANCES ON LINEAR DIMENSIONS (UNLESS OTHERWISE SPECIFIED)	,x = ±0,05 x = ±0,25	FOR DRAWING INTERPRETATION	TPD 00 0000
			TOLERANCES ON ANGLES (UNLESS OTHERWISE SPECIFIED)	,x° = ±0,05° x° = ±0,25°	SCALE	1:1
			SURFACE ROUGHNESS (Ra) (UNLESS OTHERWISE SPECIFIED)	3,2	UNITS	mm
	DESCRIPTION	INNER FRAME RM	PART NUMBER	1	2007-07-25	
NAME	PIETER RAVENSBERGEN	FORMER 12NC	SHEET	110 - 001	SHEETS	1
CHECKED BY	STATUS PRE-RELEASED	NAME CODEVELOPER	VIRD		SYS	U
					SIZE	A3
					DO NOT SCALE DRAWING	



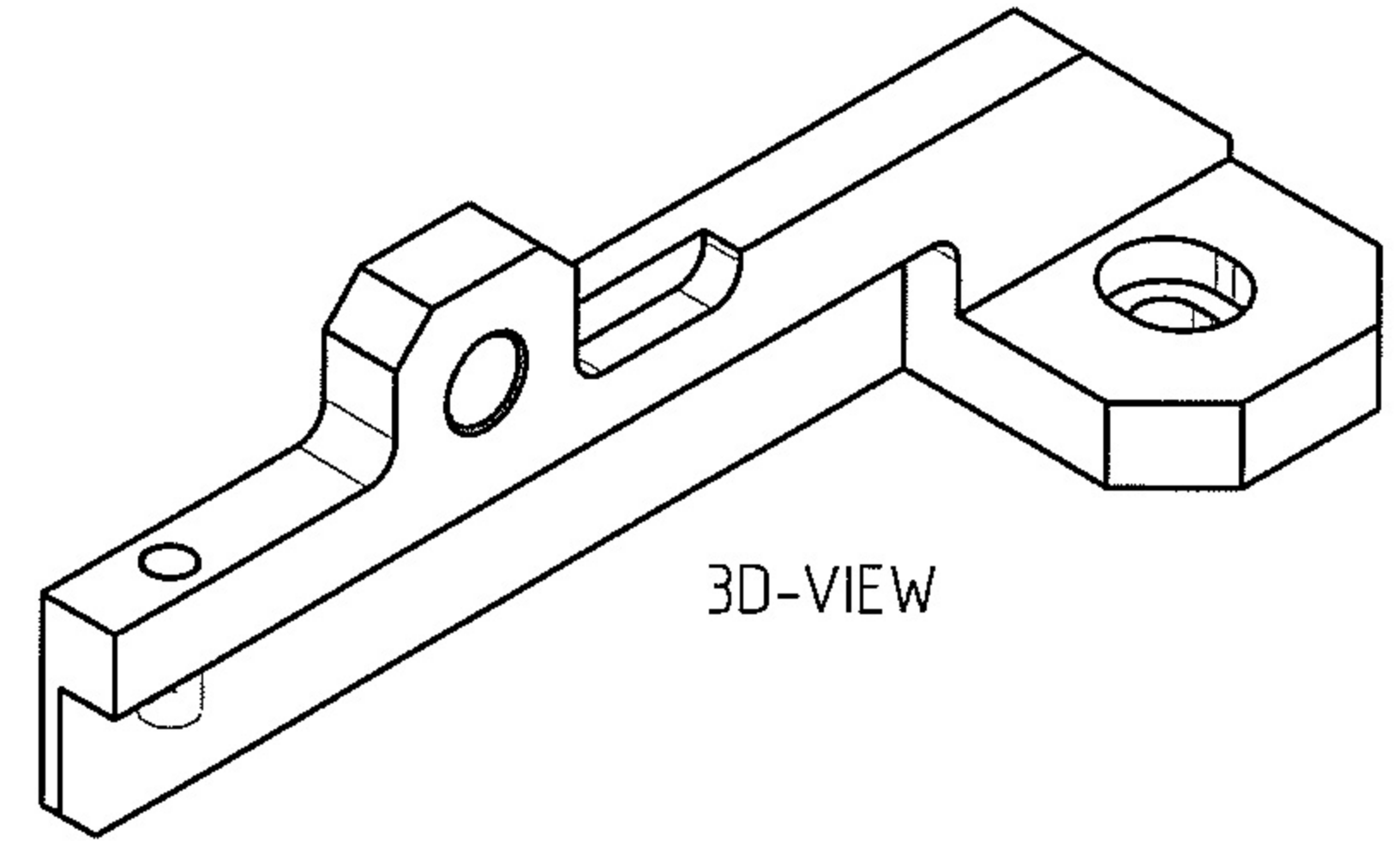
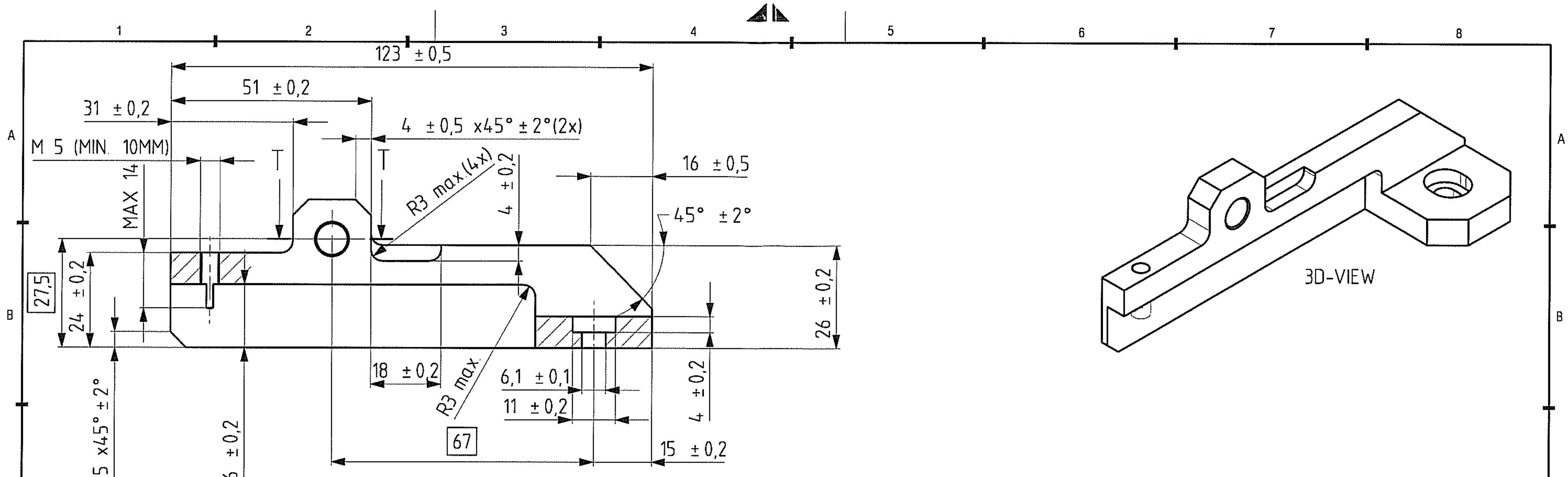
NOTE: REMOVE SHARP EDGES

FIRST ANGLE PROJECTION (EUROPEAN) 	MATERIAL NUMBER <i>R.V.S 303</i>	TOLERANCES ON LINEAR DIMENSIONS (UNLESS OTHERWISE SPECIFIED) x = ±0,05 xx = ±0,005	FOR DRAWING INTERPRETATION TPD 00 0000
	DESCRIPTION OUTER FRAME RM UNDER PART A	TOLERANCES ON ANGLES (UNLESS OTHERWISE SPECIFIED) x° = ±0,05° xx° = ±0,25°	SURFACE ROUGHNESS (Ra) (UNLESS OTHERWISE SPECIFIED) 3,2
PART NUMBER 4022.637.3030		(UNITS: µm)	
FORMER 12NC		PART NUMBER 1 2007-07-23	
STATUS PRE-RELEASED NAME CODEVELOPER		SHEET 110 — 001 SHEETS 1 SYS U SIZE A3	
		DO NOT SCALE DRAWING	

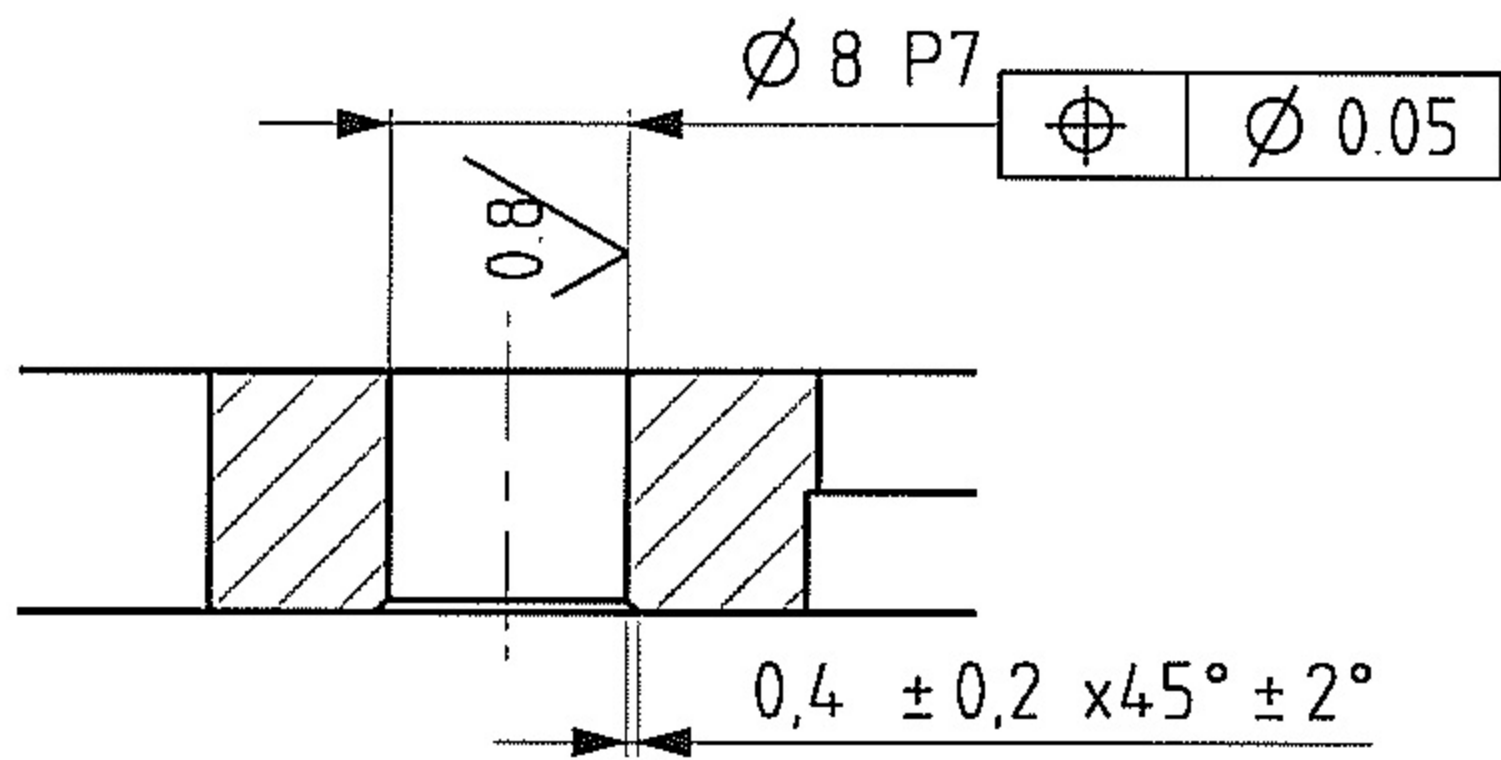
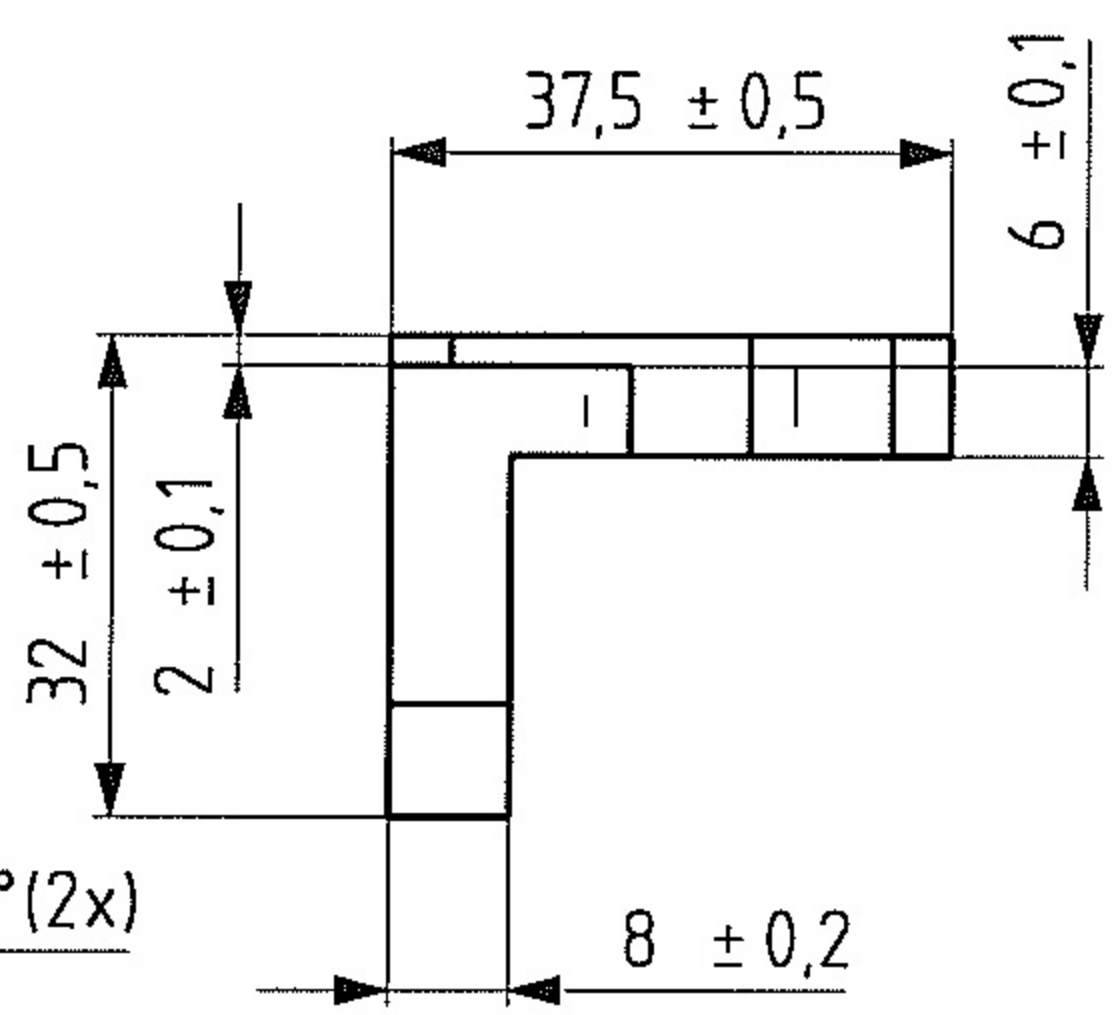
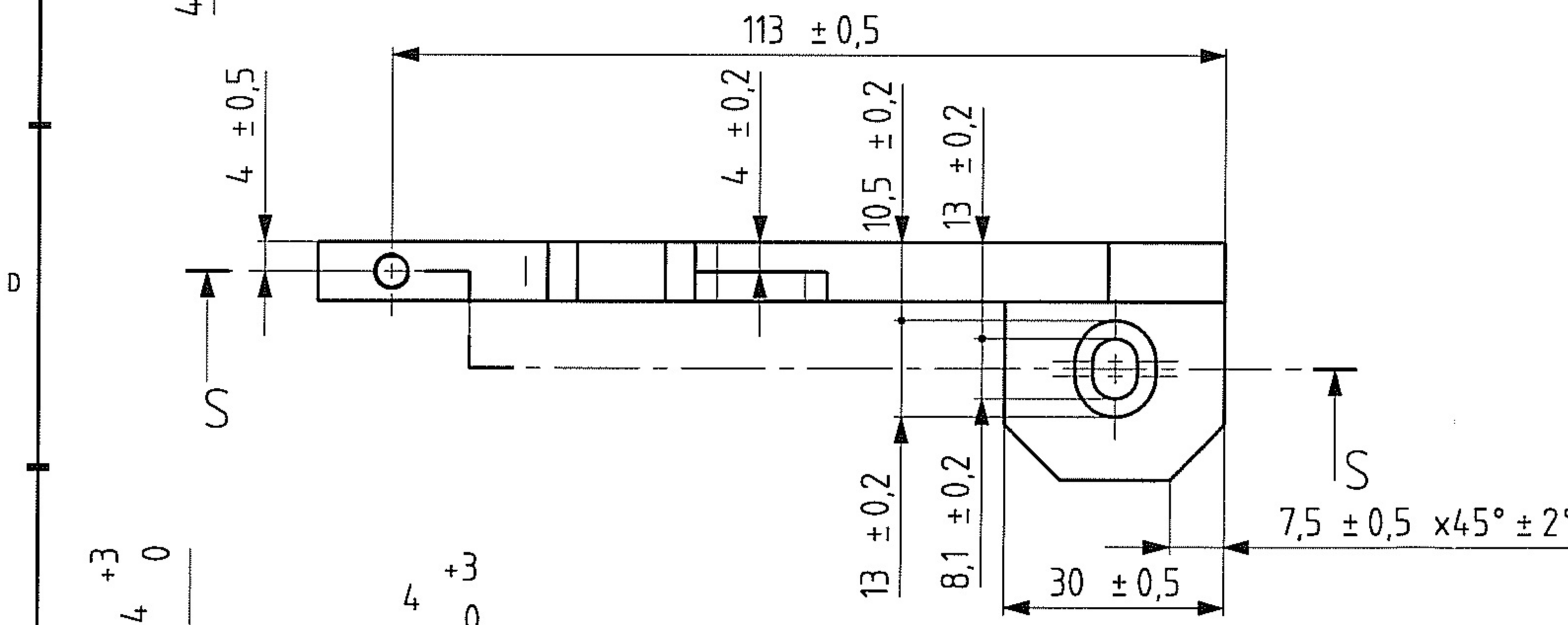


NOTE: REMOVE SHARP EDGES

FIRST ANGLE PROJECTION (EUROPEAN) 	MATERIAL NUMBER R.V.S 303	TOLERANCES ON LINEAR DIMENSIONS (UNLESS OTHERWISE SPECIFIED) x = ±0,05 xx = ±0,25 ,xx = ±0,005	FOR DRAWING INTERPRETATION TPD 00 0000
		TOLERANCES ON ANGLES (UNLESS OTHERWISE SPECIFIED) x° = ±0,05° xx° = ±0,25° ,xx° = ±0,005°	SCALE 1:1
		SURFACE ROUGHNESS (Ra) (UNLESS OTHERWISE SPECIFIED) 3,2 (UNITS: μm)	UNITS mm
	DESCRIPTION OUTER FRAME RM UNDER PART B	PART NUMBER 4022.637.3031	1 2007-07-23
	FORMER 12NC STATUS PRE-RELEASED NAME CODEVELOPER	SHEET 110 — 001	SHEETS 1 SYS U SIZE A3 DO NOT SCALE DRAWING

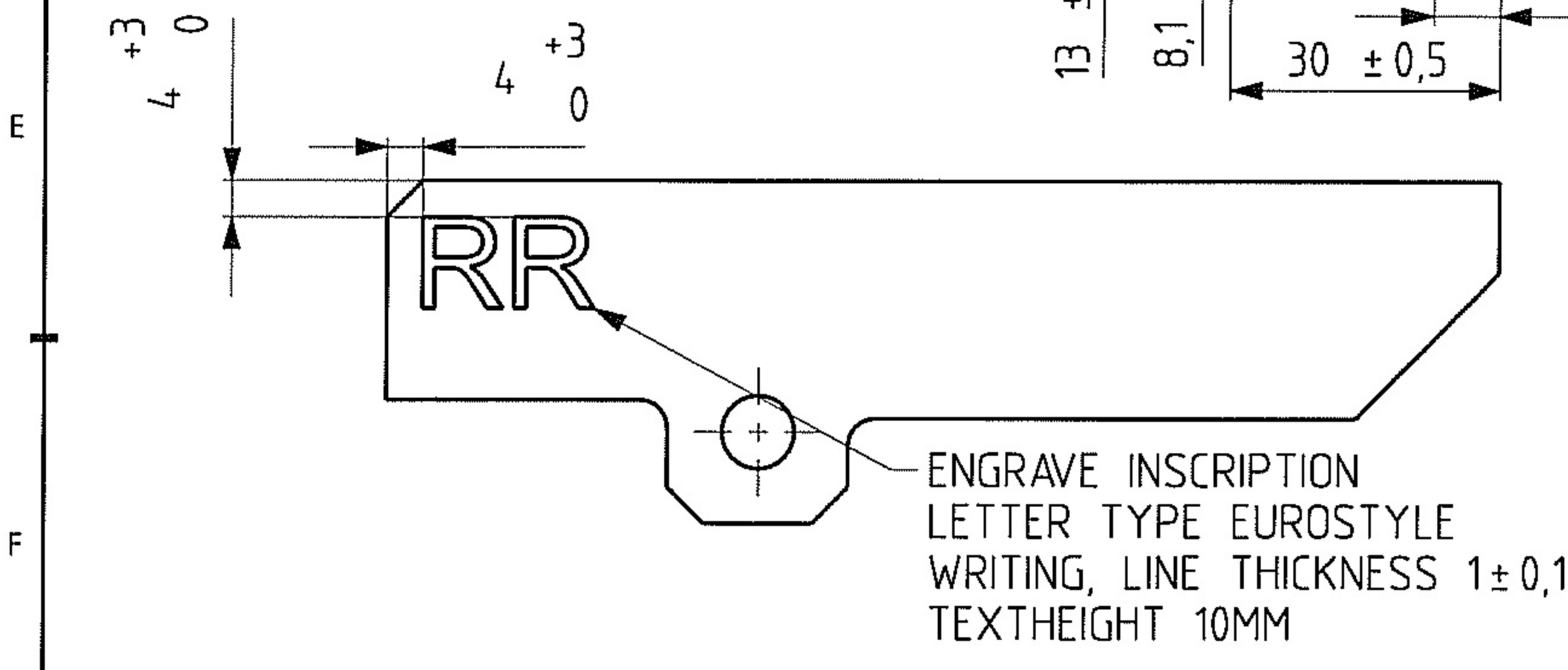


SECTION S-S



SECTION T-T
SCALE 2:1

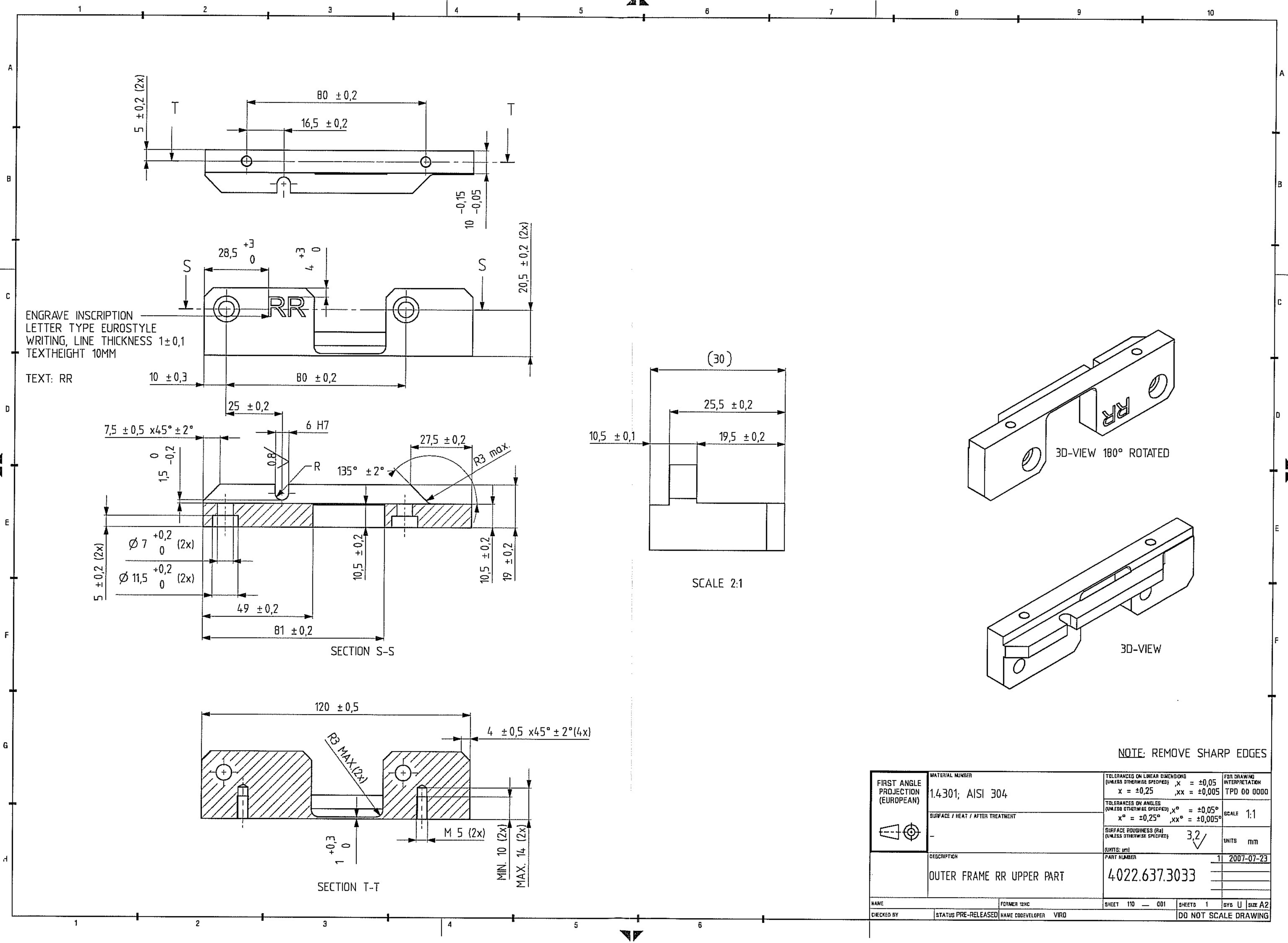
NOTE: REMOVE SHARP EDGES



ENGRAVE INSCRIPTION
LETTER TYPE EUROSTYLE
WRITING, LINE THICKNESS 1 ± 0,1
TEXTHEIGHT 10MM

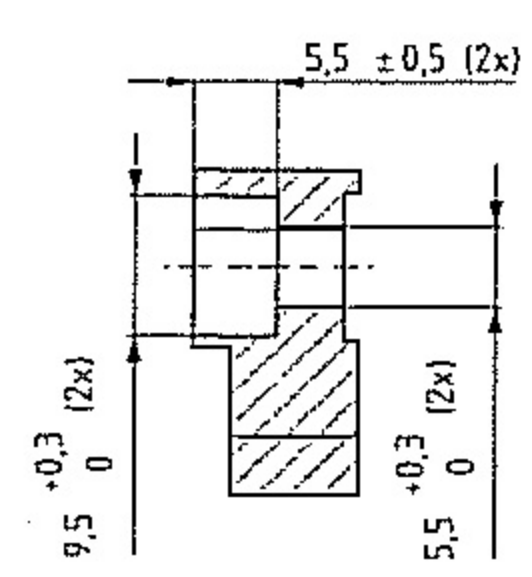
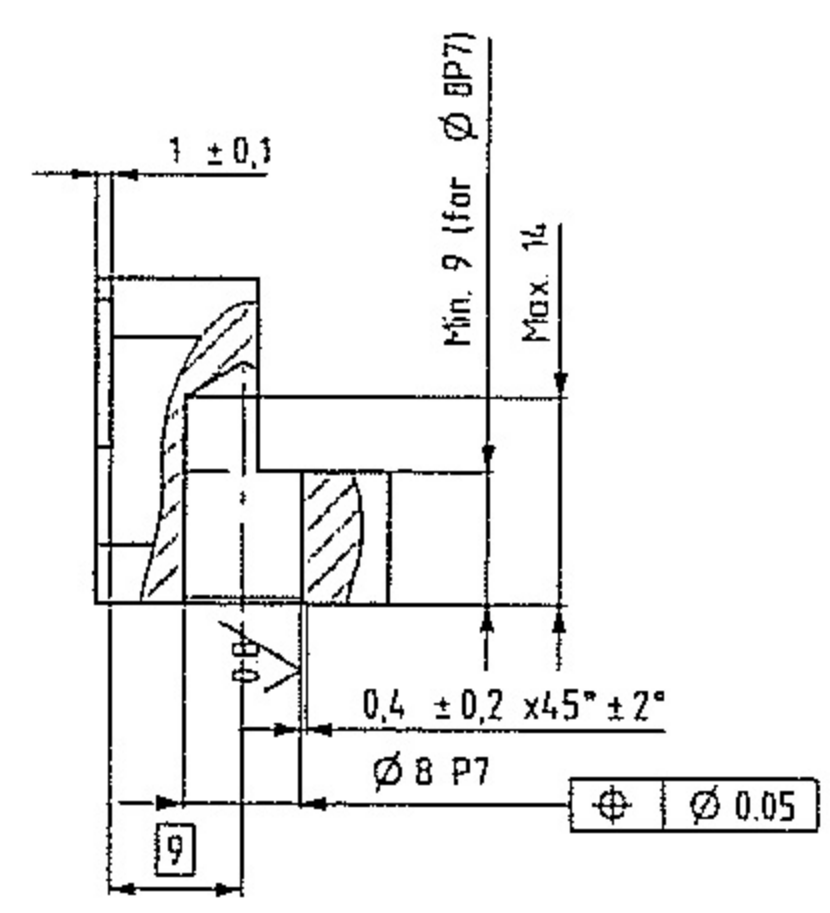
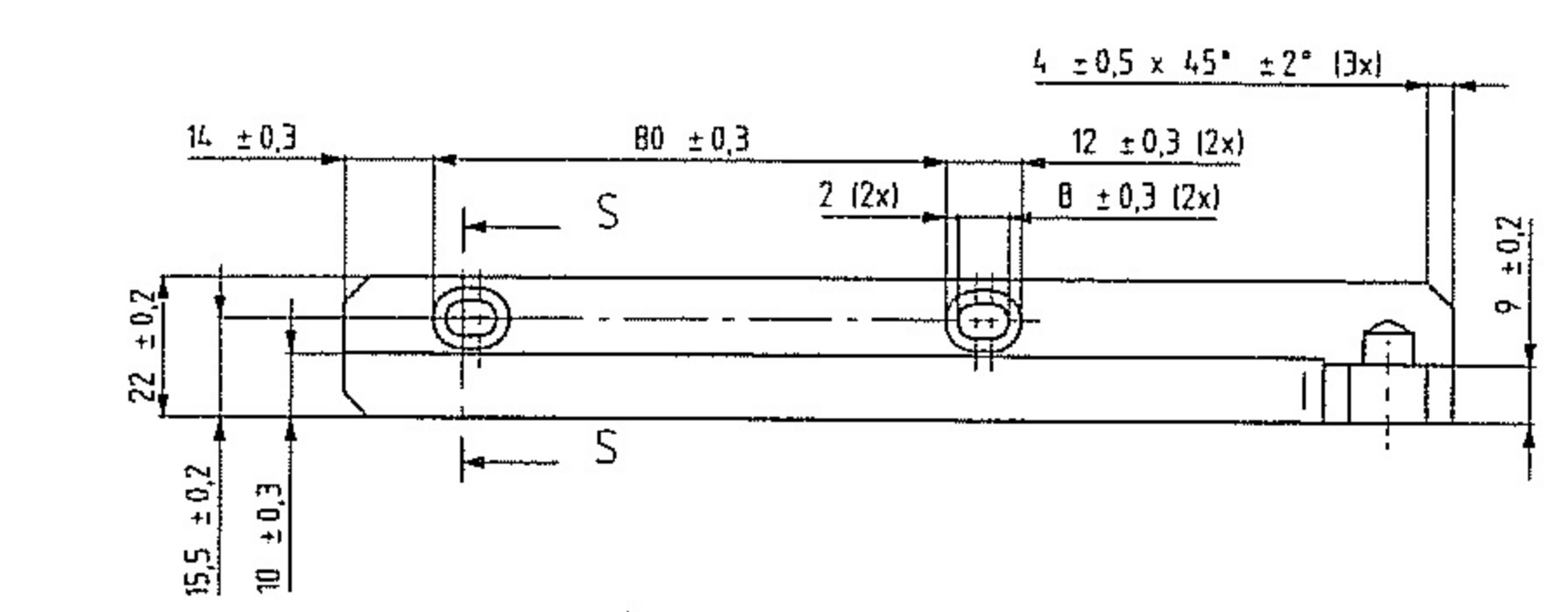
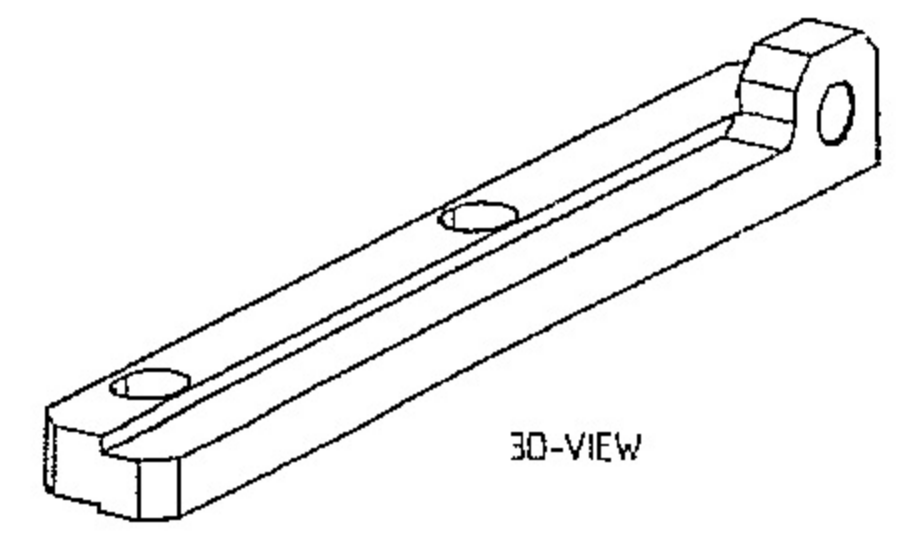
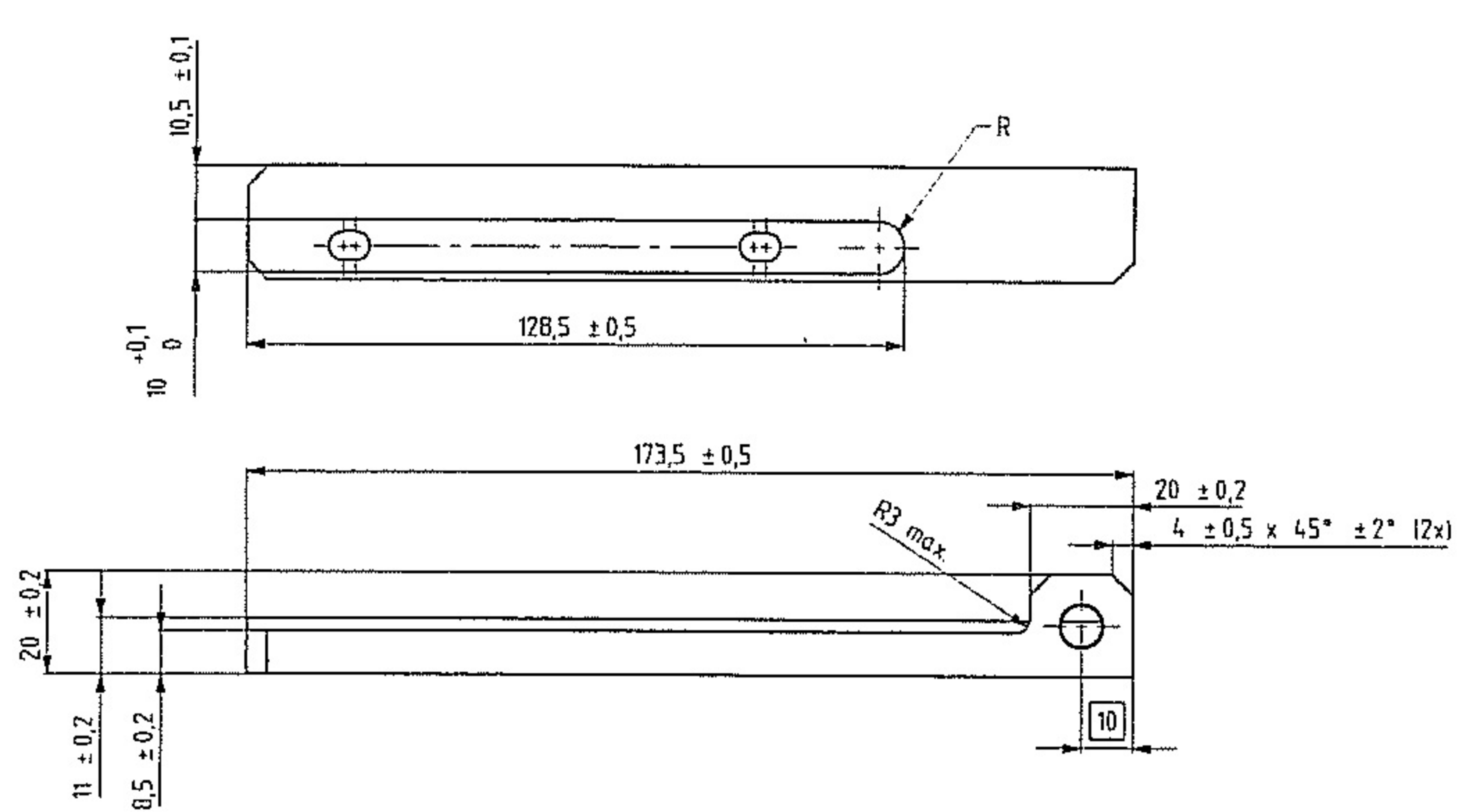
TEXT: RR

FIRST ANGLE PROJECTION (EUROPEAN)	MATERIAL NUMBER	R.V.S 303		TOLERANCES ON LINEAR DIMENSIONS (UNLESS OTHERWISE SPECIFIED)	x = ±0,05 x = ±0,25	FOR DRAWING INTERPRETATION	TPD 00 0000
				TOLERANCES ON ANGLES (UNLESS OTHERWISE SPECIFIED)	x° = ±0,05° x° = ±0,25°	SCALE	1:1
				SURFACE ROUGHNESS (Ra) (UNLESS OTHERWISE SPECIFIED)	3,2	UNITS	mm
				(UNITS: µm)		PART NUMBER	1 2007-07-23
				DESCRIPTION	INNER FRAME RR		
					4022.637.3032		
NAME	FORMER 12NC	SHEET	110 — 001	SHEETS	1	SYS	U SIZE A3
CHECKED BY	STATUS PRE-RELEASED	NAME CODEVELOPER	VIRO	DO NOT SCALE DRAWING			



NOTE: REMOVE SHARP EDGES

FIRST ANGLE PROJECTION (EUROPEAN)	MATERIAL NUMBER	TOLERANCES ON LINEAR DIMENSIONS (UNLESS OTHERWISE SPECIFIED)	FOR DRAWING INTERPRETATION
	1.4.301; AISI 304	$x = \pm 0,25$ $xx = \pm 0,005$	TPD 00 0000
SURFACE / HEAT / AFTER TREATMENT	-	TOLERANCES ON ANGLES (UNLESS OTHERWISE SPECIFIED)	SCALE 1:1
		$x^\circ = \pm 0,25^\circ$ $xx^\circ = \pm 0,005^\circ$	
SURFACE ROUGHNESS (Ra) (UNLESS OTHERWISE SPECIFIED)	-	3,2	UNITS mm
		(UNITS: μm)	
DESCRIPTION	PART NUMBER	1 2007-07-23	
OUTER FRAME RR UPPER PART	4022.637.3033		
NAME	FORMER 12HC	SHEET 110 - 001	SHEETS 1 SYS U SIZE A2
CHECKED BY	STATUS PRE-RELEASED NAME CODEVELOPER VIRO	DO NOT SCALE DRAWING	



SECTION S-S
SCALE 2:1

SCALE 2:1

NOTE: REMOVE SHARP EDGES

FIRST ANGLE PROJECTION (EUROPEAN)	MATERIAL NUMBER	14.301; AISI 304	TOLERANCES ON LINEAR DIMENSIONS (UNLESS OTHERWISE SPECIFIED)	$x = \pm 0,25$ $xx = \pm 0,005$	FOR DRAWING INTERPRETATION TPD 00 0000
	SURFACE / HEAT / AFTER TREATMENT	-	TOLERANCES ON ANGLES (UNLESS OTHERWISE SPECIFIED)	$x^{\circ} = \pm 0,05^{\circ}$ $xx^{\circ} = \pm 0,005^{\circ}$	SCALE 1:1
			SURFACE FINISHES (RA) (UNLESS OTHERWISE SPECIFIED)	3,2	UNITS MM
	DESCRIPTION	OUTER FRAME RR UNDER PART	PART NUMBER	4022.637.3034	DATE 2007-07-24
PER	FORMER ENG	SWT	NO	001	SHEETS 1
STATUS PRE-RELEASED	NAME TRAVELDER	VERO			BY U
					DO NOT SCALE DRAWING